

FISHER & PAYKEL

SPECIFICATION GUIDE

BUILT-IN COFFEE MAKER, 30"



OVERVIEW

Designed to complement our Professional style oven and warming drawer, this built-in coffee maker seamlessly integrates into any kitchen design with a stylish stainless steel finish. Beautiful to use, it has an intuitive touch display with 13 different beverage options to suit individual taste and selection - from Espresso to Latte. Pair with other companion products to create a kitchen suite for every need.

MODELS

Built-in Coffee Maker, 30"

Stainless steel
EB30PSX1

SERIES & STYLE

Series 9
Professional Style

FEATURES

- ① Part of our suite of companion products, designed to match aesthetically for flexible configurations
- ② Pairs perfectly with the Professional style 30" Oven and Warming Drawer
- ③ Intuitive touch display for ease of use
- ④ 13 beverage options to suit individual taste and selection - from Americano to Latte
- ⑤ Favorite coffee can be memorized and set to start at the same time each day
- ⑥ Stainless steel conical burr grinder with 13 grind coarseness positions
- ⑦ Self-cleaning function, with a removable drip tray and waste container
- ⑧ 84.5 fl oz water tank capacity
- ⑨ 15 bar pump pressure
- ⑩ Adjustable coffee strength, temperature and coffee cup sizes

ACCESSORIES

- ① Thermal milk jug
- ② Extractable steam outlet
- ③ Coffee spoon
- ④ Descaling agent and water filter

FISHER & PAYKEL

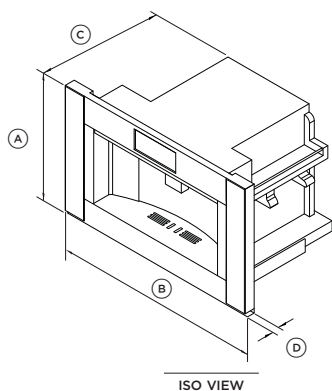
SPECIFICATION GUIDE

BUILT-IN COFFEE MAKER, 30"

SPECIFICATIONS

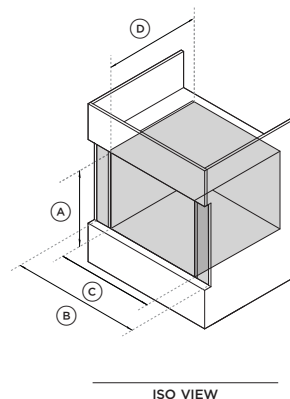
Model No.	EB30PSX1
Dimensions	H 18 1/2" (470mm) x W 29 13/16" (757mm) x D 19 1/8" (485mm)
Electrical	
Supply	120V 50/60Hz
Service	10 Amp circuit
Receptacle	Flex cord

PRODUCT DIMENSIONS



	in	mm
(A) Overall height of coffee maker	18 1/2	470
(B) Overall width of coffee maker	29 13/16	757
(C) Overall depth of coffee maker	19 1/8	485
(D) Depth of coffee maker front and control panel	1 9/16	40

CAVITY DIMENSIONS: STANDARD INSTALLATION



	in	mm
(A) Minimum inside height of cavity*	18 1/16	459
(B) Minimum inside width of cavity	29 15/16	761
(C) Minimum inside width of inner cavity	22 1/16	560
(D) Minimum inside depth of cavity with trim - proud install	22 1/16	560
Minimum inside depth of cavity with trim - flush install	22 1/2	572

*A spacer must be installed in the base of the cavity, see installation guide for further details.

Note: Ventilation required at the rear of the cavity.