

FISHER & PAYKEL

PRELIMINARY SPECIFICATION GUIDE

INDUCTION COOKTOP, 36" WITH INTEGRATED VENTILATION



OVERVIEW

Our new 36" induction cooktop offers an intelligent solution to cooking and kitchen ventilation in one singular appliance. With a sleek black glass finish, it can be installed in a variety of kitchen layouts – perfect for island benches or homes with high or slanted ceilings. With three fan speeds plus boost, it offers powerful extraction and four induction cooking zones, including SmartZone.

MODELS

Induction Cooktop, 36", 4 Zones with Integrated Ventilation
CID364DTB4

SERIES & STYLE

Series 9
Minimal

SUPPLIED PARTS

10 x 3.25" sheet metal adapter

FEATURES

- ① Seamlessly integrated cooktop extraction, perfect for islands or homes with high or slanted ceilings
- ② Designed to fit raised or flush with the countertop with a sleek black glass finish
- ③ Three fan speeds plus boost, for effective extraction of cooking vapors
- ④ Four cooking zones, including simple bridging of two zones to create a SmartZone
- ⑤ Immediate heat response and precision temperature control with induction technology
- ⑥ Easy-to-clean single glass surface, with grease filter tray for capturing spills
- ⑦ A flush ventilation grille allows pots to slide across an area of the cooktop surface
- ⑧ Compatible with standard 10" x 3.25" ducting systems
- ⑨ Cooktop remains cool to touch until a pot or pan is placed on the surface
- ⑩ Intuitive Touch&Slide controls react immediately when temperature is adjusted

FISHER & PAYKEL

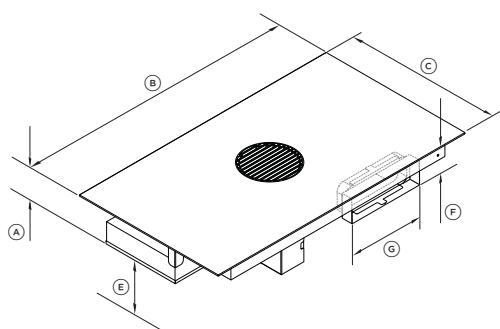
PRELIMINARY SPECIFICATION GUIDE

INDUCTION COOKTOP, 36" WITH INTEGRATED VENTILATION

PRODUCT SPECIFICATIONS

Model No.	CID364DTB4
Dimensions	H 8 1/2" (217mm) W 36 1/16" (916mm) D 20 4/16" (514mm)
Weight	94lb (42kg)
Electrical	
Supply	120/240V 7.8 kW 120/208V 7.1 kW 60Hz
Connection	Cable

PRODUCT DIMENSIONS

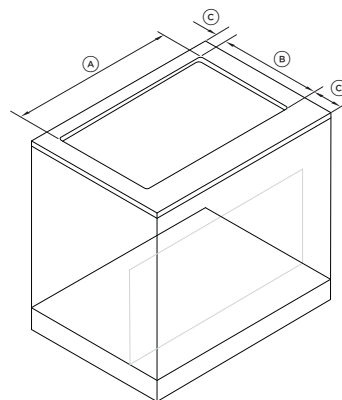


REAR ISO VIEW

	inches	mm
(A) Overall height of cooktop	8 9/16	217
(B) Overall width of cooktop	36	916
(C) Overall depth of cooktop	20 11/16	525
(D) Depth of cooktop	20 1/4	515
(E) Min. clearance from base of product*	7 3/16	183
(F) Height of venting outlet	3 1/8	80
(G) Width of venting outlet	9 13/16	250

*For cleaning

CUTOUT DIMENSIONS: STANDARD INSTALLATION



REAR ISO VIEW

	inches	mm
(A) Overall width of cutout	31 3/4	807
(B) Overall depth of cutout	19 3/8	492
(C) Minimum depth at front and rear of cutout	2	50
Not illustrated: electrical connection location from right edge of chassis*	9 7/16	240
Not illustrated: electrical connection location from rear edge of chassis*	3 3/8	85

*When cooktop is installed in cutout

Cutout position is centered to the cooktop