

FISHER & PAYKEL

PRELIMINARY SPECIFICATION GUIDE

WALL RANGE HOOD, PYRAMID CHIMNEY



OVERVIEW

Designed to complete the Classic kitchen, these wall chimney range hoods are made with a high-quality finish. Available in three colours - red, black, white or a stainless steel finish - they are primed for pairing with the Fisher & Paykel Classic Freestanding range, or with any large cooktop. With quiet, effective extraction and three fan speeds, performance meets design with strikingly stylish results.

MODELS

Wall Range Hood, 30", Pyramid Chimney,
Stainless Steel
HC30PCX1

Wall Range Hood, 30", Pyramid Chimney
Black
HC30PCB1

Wall Range Hood, 30", Pyramid Chimney
White
HC30PCW1

Wall Range Hood, 30", Pyramid Chimney
Red
HC30PCR1

Wall Range Hood, 36", Pyramid Chimney
Stainless Steel
HC36PCX1

Wall Range Hood, 36", Pyramid Chimney
Black
HC36PCB1

Wall Range Hood, 36", Pyramid Chimney
White
HC36PCW1

Wall Range Hood, 36", Pyramid Chimney
Red
HC36PCR1

FEATURES

- 1 Styled to perfectly match our Classic kitchen appliances.
- 2 Available in three durable powder-coated colours or premium-grade stainless steel with a high-quality finish.
- 4 Energy-efficient LED lighting illuminates the cooktop.
- 5 Powerful 600 CFM maximum airflow with edge-to-edge extraction.
- 6 Classic-style, user-friendly chrome touch buttons.
- 7 Simple and intuitive user interface.
- 8 Easy-to-clean, dishwasher-safe filters.

ACCESSORIES

- 1 Recirculation Diverter (metal) 798580
- 2 Replacement Charcoal Filter 791772
- 3 Aluminium Filter 792558

FISHER & PAYKEL

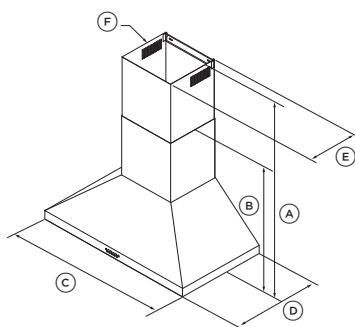
PRELIMINARY SPECIFICATION GUIDE

WALL RANGE HOOD, 30", PYRAMID CHIMNEY

SPECIFICATIONS

Model No.	HC30PCX1, HC30PCB1, HC30PCW1, HC30PCR1 (600 CFM/hour Airflow)
Dimensions	H 38 3/8 (975mm) x W 35 3/8 (898mm) x D 19 11/16 (500mm)
Diameter of vent connection	5 15/16 (150mm)
Weight	35lb (21.5kg)
Install option	Externally duct exhaust air
Minimum distance above cooktops	Consult the cooktop installation guide for details of the required installation height of the range hood
Electrical	
Supply	120V, 60Hz
Receptacle	3-prong grounding-type plug
Light source	
Type	LED Bulbs
Temperature	3000K

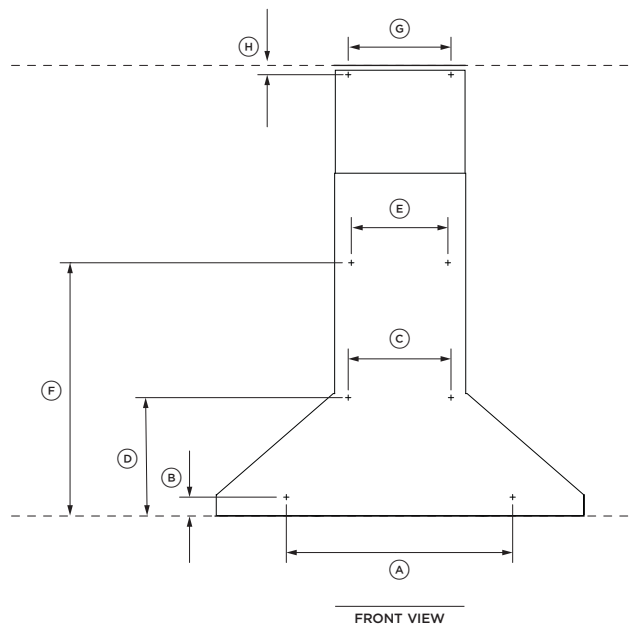
PRODUCT DIMENSIONS



ISO VIEW

		in	mm
(A)	Maximum overall height of range hood	38 3/8	975
(B)	Minimum overall height of range hood	21 1/16	636
(C)	Overall width of range hood	29 3/4	755
(D)	Overall depth of range hood	19 11/16	500
(E)	Depth of range hood chimney	11 7/16	290
(F)	Diameter of ducting outlet	5 15/16	150

ATTACHMENT DIMENSIONS



FRONT VIEW

		in	mm
(A)	Width of lower range hood attachment point	20	508
(B)	Height of lower range hood attachment point	1 3/4	45
(C)	Width of upper range hood attachment point	9 7/8	250
(D)	Height of upper range hood attachment point	11 1/4	286
(E)	Width of chimney bracket attachment point	9 1/4	250
(F)	Height of chimney bracket attachment point	31 1/4	794
(G)	Width of upper chimney bracket attachment point	9 7/8	250
(H)	Height of upper chimney bracket attachment point	1	25

FISHER & PAYKEL

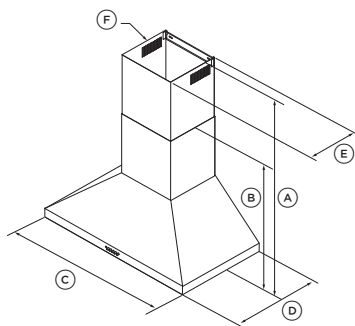
PRELIMINARY SPECIFICATION GUIDE

WALL RANGE HOOD, 36", PYRAMID CHIMNEY

SPECIFICATIONS

Model No.	HC36PCX1, HC36PCB1, HC36PCW1, HC36PCR1 (600 CFM/hour Airflow)
Dimensions	H 38 3/8 (975mm) x W 35 3/8 (898mm) x D 19 11/16 (500mm)
Diameter of vent connection	5 15/16 (150mm)
Weight	35lb (21.5kg)
Install option	Externally duct exhaust air
Minimum distance above cooktops	Consult the cooktop installation guide for details of the required installation height of the range hood
Electrical	
Supply	120V, 60Hz
Receptacle	3-prong grounding-type plug
Light source	
Type	LED Bulbs
Temperature	3000K

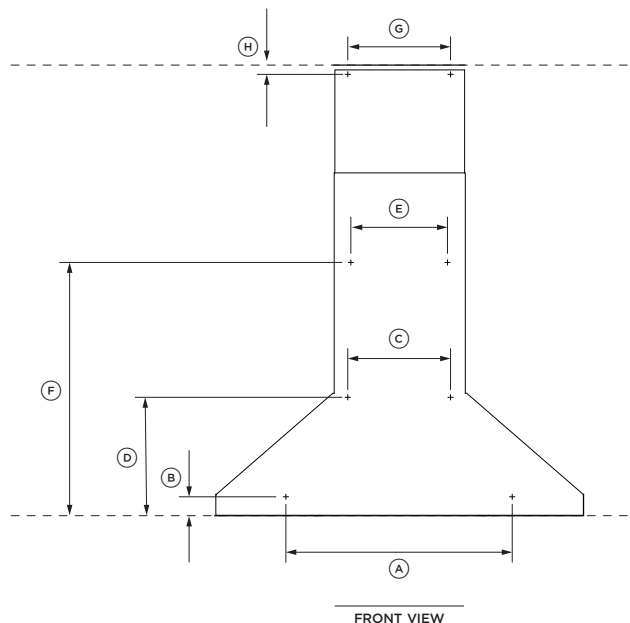
PRODUCT DIMENSIONS



ISO VIEW

		in	mm
(A)	Maximum overall height of range hood	38 3/8	975
(B)	Minimum overall height of range hood	21 1/16	636
(C)	Overall width of range hood	35 3/8	898
(D)	Overall depth of range hood	19 11/16	500
(E)	Depth of range hood chimney	11 7/16	290
(F)	Diameter of ducting outlet	5 15/16	150

ATTACHMENT DIMENSIONS



FRONT VIEW

		in	mm
(A)	Width of lower range hood attachment point	20	508
(B)	Height of lower range hood attachment point	1 3/4	45
(C)	Width of upper range hood attachment point	9 7/8	250
(D)	Height of upper range hood attachment point	11 1/4	286
(E)	Width of chimney bracket attachment point	9 1/4	250
(F)	Height of chimney bracket attachment point	31 1/4	794
(G)	Width of upper chimney bracket attachment point	9 7/8	250
(H)	Height of upper chimney bracket attachment point	1	25