

FISHER & PAYKEL

PRELIMINARY SPECIFICATION GUIDE

INTEGRATED REFRIGERATOR FREEZER, 30"



OVERVIEW

Designed to fit flush with cabinetry with minimal 1/8" gaps, the 30" Integrated Refrigerator Freezer can be installed individually or as a pair. The easy-access freezer drawer has a split line that sits below counter height for a superior fit into the kitchen. Fit with stainless steel or custom door panels.

MODELS

Integrated Refrigerator Freezer, 30", Panel Ready, Ice & Water, Bottom Freezer, Right Hinge, Stainless Steel Interior RS3084WRUK1

Integrated Refrigerator Freezer, 30", Panel Ready, Ice & Water, Bottom Freezer, Left Hinge, Stainless Steel Interior RS3084WLUK1

Integrated Refrigerator Freezer, 30", Panel Ready, Ice & Water, Bottom Freezer, Right Hinge RS3084WRU1

Integrated Refrigerator Freezer, 30", Panel Ready, Ice & Water, Bottom Freezer, Left Hinge RS3084WLU1

FEATURES

- ① Flush fit design with 1/8" gaps
- ② Bright LED interior lighting
- ③ Internal water dispensing
- ④ Automatic ice maker
- ⑤ Four independent food modes: Soft Freeze, Freezer, Fridge and Pantry
- ⑥ 84" height
- ⑦ Cantilevered glass shelves
- ⑧ Easy to access and use touch-control panel
- ⑨ Hidden ventilation grille
- ⑩ Energy efficient
- ⑪ ActiveSmart™ helps keep food fresher for longer

ACCESSORIES

- ① Four handle styles
- ② Easy-to-install joiner kit for paired installation
- ③ Stainless steel door panels
- ④ Stainless steel toe kick

FISHER & PAYKEL

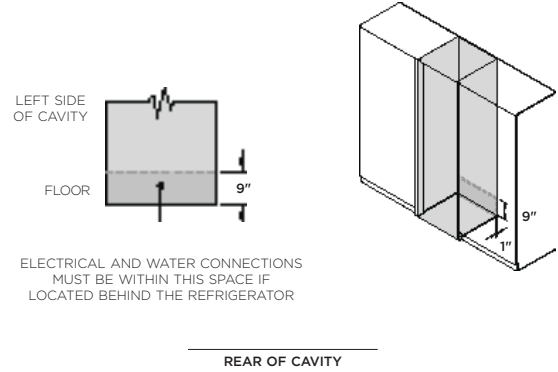
PRELIMINARY SPECIFICATION GUIDE

INTEGRATED REFRIGERATOR FREEZER, 30"

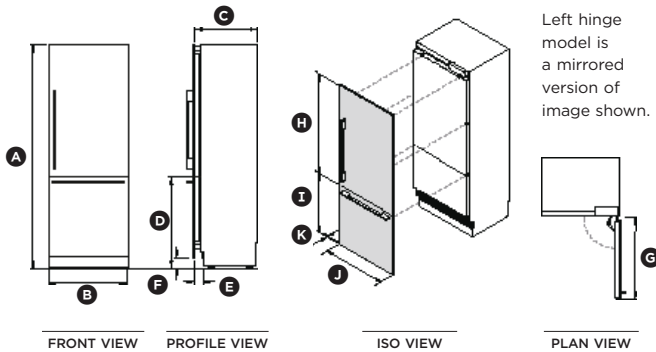
SPECIFICATIONS

| | |
|--------------------------|--|
| Model No. | RS3084WRUK1, RS3084WLUK1, RS3084WRU1, RS3084WLU1 |
| Dimensions | H 84" (2134mm) x W 29 3/4" (756mm) x D 24" (610mm) |
| Door Clearance | 32" (813mm) |
| Drawer Clearance* | 15 3/4" (400mm) |
| Weight | 309lb (140kg) |
| Door Hinge | Hettich KO5 |
| Electrical | |
| Supply | 115VAC, 60Hz |
| Service | 10-amp circuit |
| Receptacle | 3-prong grounding-type |
| Plumbing | |
| Supply | 1/4" (6mm) comp. stainless steel braided hose |
| Pressure | Min 150kPa (22psi), max 827kPa (120psi) @ 68°F (20°C) |

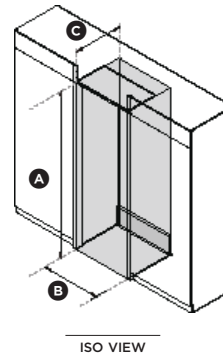
*Excl. handle depth.



PRODUCT DIMENSIONS



CAVITY DIMENSIONS: STANDARD INSTALLATION



| | | in | mm |
|-----|--|-----------|----------|
| (A) | Overall height | 84 | 2134 |
| (B) | Overall width | 29 3/4 | 756 |
| (C) | Overall depth (excl. front door panel) | 24 | 610 |
| (D) | Height from bottom of product to top of drawer panel | 34 3/8 | 873 |
| (E) | Depth of toe kick (excl. front of door panel) | 2 7/8 - 4 | 73 - 102 |
| (F) | Height of toe kick* | 2 - 6 | 51 - 152 |
| (G) | Depth of door (widest opening) measured from front of door | 32 | 813 |
| (H) | Height of refrigerator door panel | 49 3/8 | 1254 |
| (I) | Height of freezer drawer door panel | 30 3/8 | 772 |
| (J) | Width of front panels | 29 3/4 | 756 |
| (K) | Depth of front panels (excl. handles) | 3/4 | 19 |

*Standard toe kick height is 4" (102mm) with the optional stainless door panel. For custom door panel installation, a custom toe kick of 2-6" (51-152mm) can be manufactured and fitted by cabinetmaker. The custom door panel height needs to be adjusted accordingly.

| | | in | mm |
|-----|--|--------|------|
| (A) | Overall height of cavity | 84 | 2134 |
| (B) | Overall width of cavity | 30 | 762 |
| (C) | Minimum overall depth of cavity* | 25 | 635 |
| | Minimum cabinetry gap clearance from edge of door panels | 1/8 | 3 |
| | Minimum required finished return, sides and top of cavity | 4 | 102 |
| | Minimum door clearance to adjacent wall (90° - full internal access) | 4 1/3 | 110 |
| | Minimum door clearance to adjacent wall (115° - full door opening) | 16 1/2 | 419 |

*Assumes a door panel thickness of 3/4" (19mm).