

FISHER & PAYKEL

PRELIMINARY SPECIFICATION GUIDE

INTEGRATED REFRIGERATOR FREEZER, 24"



OVERVIEW

Designed to fit flush with cabinetry with minimal 1/8" gaps, the 24" Integrated Refrigerator Freezer can be installed individually or as a pair. The easy-access freezer drawer has a split line that sits below counter height for a superior fit into the kitchen. Fit with stainless steel or custom door panels.

MODELS

Integrated Refrigerator Freezer, 24", Panel Ready, Ice & Water, Right Hinge, Stainless Steel Interior
RS2484WRUK1

Integrated Refrigerator Freezer, 24", Panel Ready, Ice & Water, Left Hinge, Stainless Steel Interior
RS2484WLUK1

Integrated Refrigerator Freezer, 24", Panel Ready, Ice & Water, Right Hinge
RS2484WRU1

Integrated Refrigerator Freezer, 24", Panel Ready, Ice & Water, Left Hinge
RS2484WLU1

FEATURES

- ① Flush fit design with 1/8" gaps
- ② Bright LED interior lighting
- ③ Internal water dispensing
- ④ Automatic ice maker
- ⑤ Four independent food modes: Soft Freeze, Freezer, Fridge and Pantry
- ⑥ 84" height
- ⑦ Cantilevered glass shelves
- ⑧ Easy to access and use touch-control panel
- ⑨ Hidden ventilation grille
- ⑩ Energy efficient
- ⑪ ActiveSmart™ helps keep food fresher for longer

ACCESSORIES

- ① Four handle styles
- ② Easy-to-install joiner kit for paired installation
- ③ Stainless steel door panels
- ④ Stainless steel toe kick

FISHER & PAYKEL

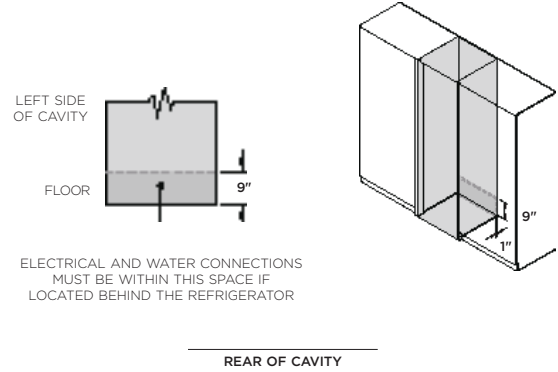
PRELIMINARY SPECIFICATION GUIDE

INTEGRATED REFRIGERATOR FREEZER, 24"

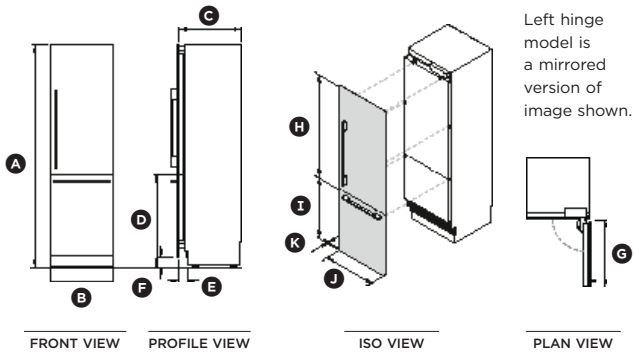
SPECIFICATIONS

Model No.	RS2484WRUK1, RS2484WLUK1, RS2484WRU1, RS2484WLU1
Dimensions	H 84" (2134mm) x W 23 3/4" (603mm) x D 24" (610mm)
Door Clearance	26" (660mm)
Drawer Clearance*	15 3/4" (400mm)
Weight	275lb (125kg)
Door Hinge	Hettich KO5
Electrical	
Supply	115VAC, 60Hz
Service	10-amp circuit
Receptacle	3-prong grounding-type
Plumbing	
Supply	1/4" (6mm) comp. stainless steel braided hose
Pressure	Min 150kPa (22psi), max 827kPa (120psi) @ 68°F (20°C)

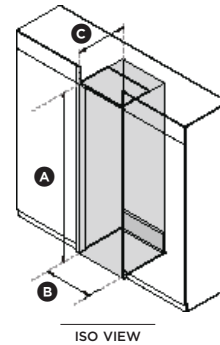
*Excl. handle depth.



PRODUCT DIMENSIONS



CAVITY DIMENSIONS: STANDARD INSTALLATION



		in	mm
(A)	Overall height	84	2134
(B)	Overall width	23 3/4	603
(C)	Overall depth (excl. front door panel)	24	610
(D)	Height from bottom of product to top of drawer panel	34 3/8	873
(E)	Depth of toe kick (excl. front of door panel)	2 7/8 - 4	73 - 102
(F)	Height of toe kick*	2 - 6	51 - 152
(G)	Depth of door (widest opening) measured from front of door	26	660
(H)	Height of refrigerator door panel	49 3/8	1254
(I)	Height of freezer drawer door panel	30 3/8	772
(J)	Width of front panels	23 3/4	603
(K)	Depth of front panels (excl. handles)	3/4	19

*Standard toe kick height is 4" (102mm) with the optional stainless door panel. For custom door panel installation, a custom toe kick of 2-6" (51-152mm) can be manufactured and fitted by cabinetmaker. The custom door panel height needs to be adjusted accordingly.

		in	mm
(A)	Overall height of cavity	84	2134
(B)	Overall width of cavity	24	610
(C)	Minimum overall depth of cavity*	25	635
(D)	Minimum cabinetry gap clearance from edge of door panels	1/8	3
(E)	Minimum required finished return, sides and top of cavity	4	102
(F)	Minimum door clearance to adjacent wall (90° - full internal access)	4 1/3	110
(G)	Minimum door clearance to adjacent wall (115° - full door opening)	14	356

*Assumes a door panel thickness of 3/4" (19mm).