

FISHER & PAYKEL

PRELIMINARY SPECIFICATION GUIDE

WALL RANGEHOOD WITH EXTERNAL BLOWER



OVERVIEW

Designed to complete the Contemporary kitchen, these wall box chimney rangehoods are made from quality stainless steel with an excellent finish. With three fan speeds, plus a boost function, powerful extraction quickly removes odours and steam. Quiet and efficient, the external motor is installed outside the home to ensure silent extraction inside the kitchen without compromising on performance.

MODELS

Wall Rangehood, 60cm, Box Chimney, with External Blower
HC60DCEXB3

Wall Rangehood, 90cm, Box Chimney, with External Blower
HC90DCEXB3

SERIES & STYLE

Series 7
Contemporary Style

FEATURES

- ① Designed to fit Contemporary style kitchens
- ② External silent motor for quiet and effective extraction of odours and steam
- ③ Powerful 1200m³/hr maximum airflow
- ④ Energy efficient LED lighting creates a warm, even glow
- ⑤ Sleek black glass and stainless steel finish
- ⑥ Three fans speeds plus a boost function
- ⑦ Intuitive LED-illuminated soft touch buttons
- ⑧ Automatic alert works as a reminder to clean filters for optimal performance
- ⑨ Removable, easy-to-clean filters that effectively trap grease
- ⑩ Edge to edge grease-capturing zone

EXTERNAL BLOWER & MOUNTING KIT

External blower & mounting kit:

- Backdraft damper assembly
- Roof penetration pipe - 150mm internal diameter PVC
- Duct adapter 150 - 200mm
- 200mm Flexible ducting - 6m length

ACCESSORIES

- ① Aluminium filters (792577)
- ② Chimney extension (791774)
- ③ Light bulbs (792556)

FISHER & PAYKEL

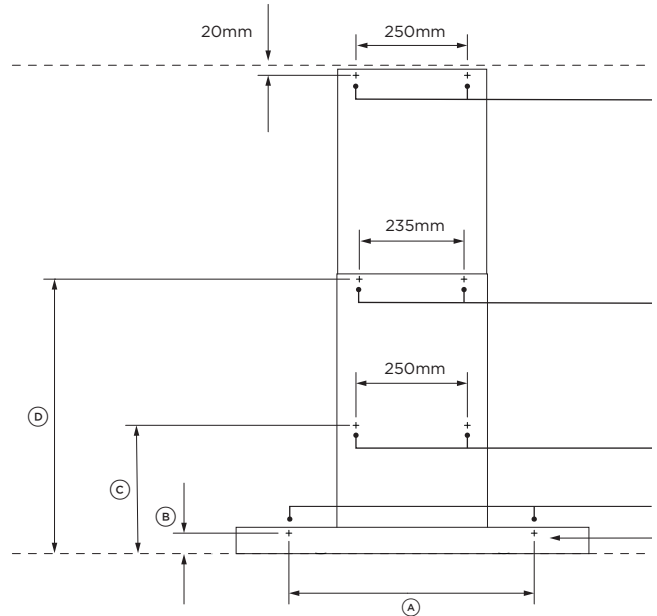
PRELIMINARY SPECIFICATION GUIDE

WALL RANGEHOOD, 60CM WITH EXTERNAL BLOWER

SPECIFICATIONS

| | |
|---------------------------------|---|
| Model No. | HC60DCEXB3 (1200m ³ /hour Airflow) |
| Dimensions | H 595mm x W 598 x D 500mm |
| Diameter of vent connection | 200mm |
| Weight | 9kg |
| Install option | Roof mount external blower, external duct |
| Minimum distance above cooktops | Consult the cooktop installation guide for details of the required installation height of the rangehood |
| Electrical | |
| Supply | 230VAC, 50Hz |
| Outlet | 3 pin plug |
| Light source | |
| Type | LED bulbs |
| Temperature | 3000K |

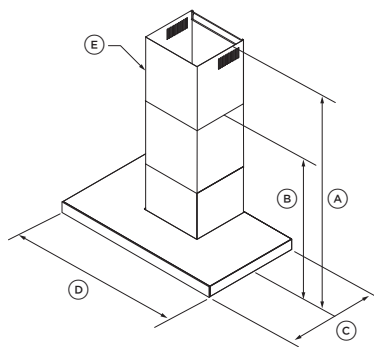
ATTACHMENT DIMENSIONS



mm

| | | |
|-----|---|-----|
| (A) | Lower rangehood attachment point width | 420 |
| (B) | Lower rangehood attachment point height | 36 |
| (C) | Upper rangehood attachment point height | 286 |
| (D) | Chimney bracket attachment point height | 559 |

PRODUCT DIMENSIONS



ISO VIEW

mm

| | | |
|-----|-------------------------------------|------|
| (A) | Maximum overall height of rangehood | 1035 |
| (B) | Minimum overall height of rangehood | 595 |
| (C) | Overall width of rangehood | 598 |
| (D) | Overall depth of rangehood | 500 |
| (E) | Diameter of ducting outlet | 200 |

FISHER & PAYKEL

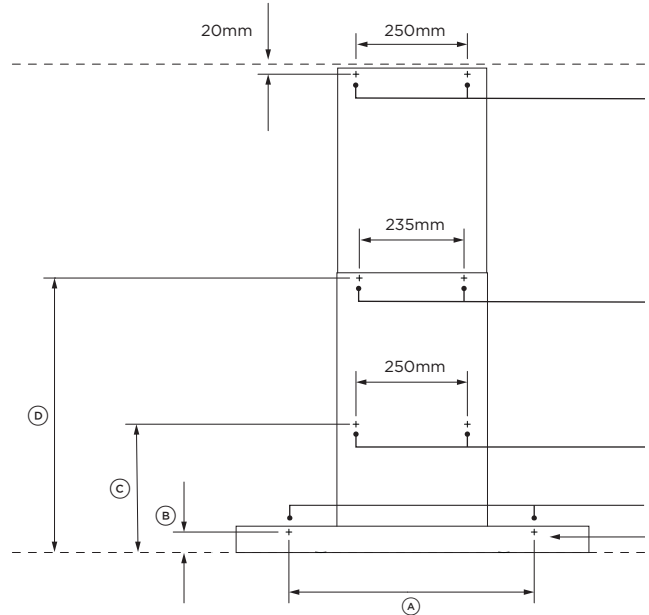
PRELIMINARY SPECIFICATION GUIDE

WALL RANGEHOOD, 90CM WITH EXTERNAL BLOWER

SPECIFICATIONS

| | |
|---------------------------------|---|
| Model No. | HC90DCEXB3 (1200m ³ /hour Airflow) |
| Dimensions | H 595mm x W 898 x D 500mm |
| Diameter of vent connection | 200mm |
| Weight | 13.4kg |
| Install option | Roof mount external blower, external duct |
| Minimum distance above cooktops | Consult the cooktop installation guide for details of the required installation height of the rangehood |
| Electrical | |
| Supply | 230VAC, 50Hz |
| Outlet | 3 pin plug |
| Light source | |
| Type | LED bulbs |
| Temperature | 3000K |

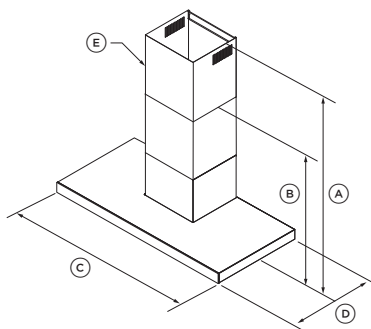
ATTACHMENT DIMENSIONS



mm

| | | |
|-----|---|-----|
| (A) | Lower rangehood attachment point width | 580 |
| (B) | Lower rangehood attachment point height | 36 |
| (C) | Upper rangehood attachment point height | 286 |
| (D) | Chimney bracket attachment point height | 559 |

PRODUCT DIMENSIONS



ISO VIEW

mm

| | | |
|-----|-------------------------------------|------|
| (A) | Maximum overall height of rangehood | 1035 |
| (B) | Minimum overall height of rangehood | 595 |
| (C) | Overall width of rangehood | 898 |
| (D) | Overall depth of rangehood | 500 |
| (E) | Diameter of ducting outlet | 200 |

FISHER & PAYKEL

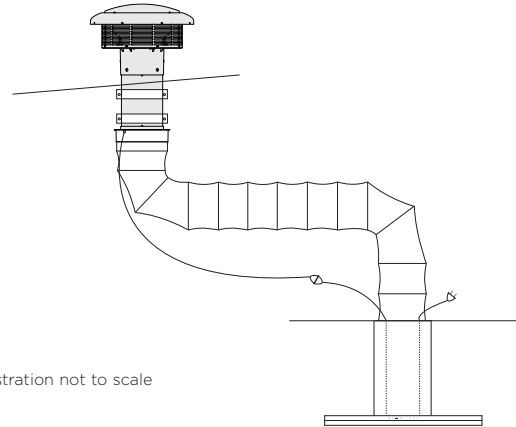
PRELIMINARY SPECIFICATION GUIDE

EXTERNAL BLOWER

SPECIFICATIONS

| | |
|------------------------------------|---|
| Model No. | HB1200E for use with HC60DCEXB3 and HC90DCEXB3 rangehood models |
| Dimensions | H 655mm x Ø 400mm |
| Diameter of vent connection | 200mm |
| Weight | 5.3kg |
| Install option | Only with compatible rangehood. Roof mount external blower, external duct |
| Distance from rangehood | 4 - 6m |
| Electrical | |
| Supply | 230VAC, 50Hz |
| Outlet | 3 pin plug |
| Length of power cord | 6000mm |

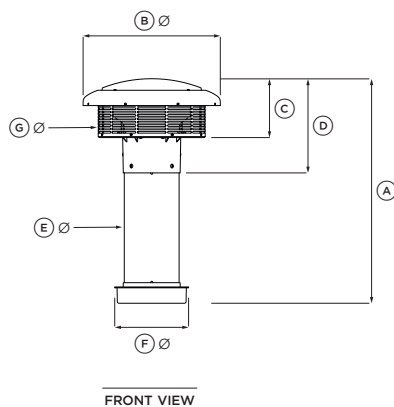
INSTALLATION REQUIREMENTS



For optimum performance of this blower:

- Mount the blower with 4 - 6m of ducting.
- Mount blower 4 - 6m from the rangehood.
- Use only the supplied Fisher & Paykel flexible ducting. If additional ducting is required this can be purchased from Fisher & Paykel.
- Extend ducting and cut to required length.
- Bends in ducting should be smooth, gradual and have a radius of at least two times the duct diameter.
- Ducting from rangehood to blower has at least 2 bends.

PRODUCT DIMENSIONS



| | | mm |
|-----|--|-----|
| (A) | Overall height | 755 |
| (B) | Overall diameter | 400 |
| (C) | Height of the blower unit | 174 |
| (D) | Height of external blower and backdraft damper | 275 |
| (E) | Outer diameter of roof pipe | 160 |
| (F) | Diameter of ducting outlet | 200 |
| (G) | Diameter of grill | 315 |