

FISHER & PAYKEL

PRELIMINARY SPECIFICATION GUIDE

INTEGRATED INSERT RANGEHOOD WITH EXTERNAL BLOWER



OVERVIEW

These high-quality, integrated insert rangehoods seamlessly blend with cabinetry and can be installed in a variety of kitchen layouts. Beautiful in its simplicity, the sleek black glass finish can be easily wiped for effortless cleaning. Quiet and efficient, the powerful external motor is installed outside the home to ensure silent extraction inside the kitchen without compromising on performance.

MODELS

Integrated Insert Rangehood, 60cm, with External Blower
HP60IDCHEX3

Integrated Rangehood, 90cm, with External Blower
HP90IDCHEX3

SERIES & STYLE

Series 7
Contemporary Style

FEATURES

- ① Seamlessly integrated
- ② External silent motor for quiet and effective extraction of odours and steam
- ③ Powerful 1200m³/hr maximum airflow
- ④ Energy efficient LED lighting creates a warm, even glow
- ⑤ Sleek black glass finish with real stainless steel frame
- ⑥ Three fans speeds plus a boost function
- ⑦ Intuitive LED-illuminated soft touch buttons
- ⑧ Automatic alert works as a reminder to clean filters for optimal performance
- ⑨ Removable, easy-to-clean filters that effectively trap grease
- ⑩ Edge to edge grease-capturing zone

EXTERNAL BLOWER & MOUNTING KIT

External blower & mounting kit:

- Backdraft damper assembly
- Roof penetration pipe - 150mm internal diameter PVC
- Duct adapter 150 - 200mm
- 200mm Flexible ducting - 6m length

ACCESSORIES

Aluminium filters:

- 792942 for HP60
- 792943 for HP90

FISHER & PAYKEL

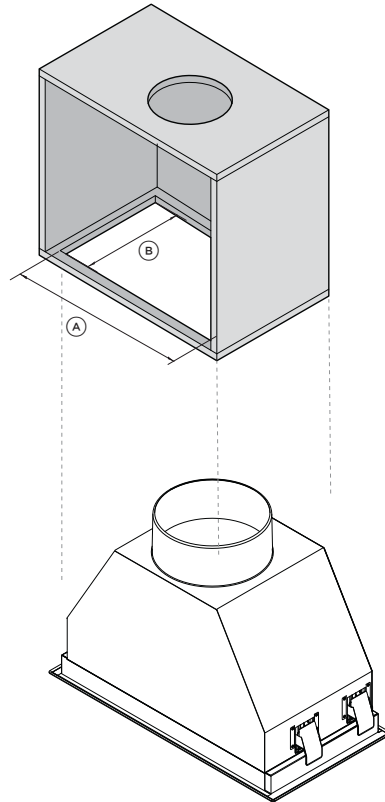
PRELIMINARY SPECIFICATION GUIDE

INTEGRATED INSERT RANGEHOOD, 60CM WITH EXTERNAL BLOWER

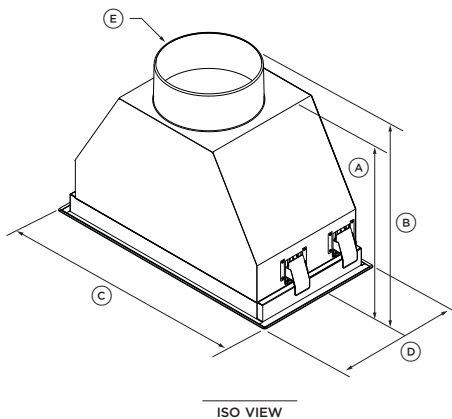
SPECIFICATIONS

Model No.	HP60IDCHEX3 (1200m ³ /hour airflow)
Dimensions	H 316mm x W 398 x D 280mm
Diameter of vent connection	200mm
Weight	6.4kg
Install option	Only roof mount external blower, external duct
Minimum distance above cooktops	Consult the cooktop installation guide for details of the required installation height of the rangehood.
Electrical	
Supply	230VAC, 50Hz
Outlet	3 pin plug
Light source	
Type	LED strip
Temperature	3000K

CAVITY DIMENSIONS: STANDARD INSTALLATION



PRODUCT DIMENSIONS



ISO VIEW

		mm
(A)	Overall width of the cutout	500
(B)	Overall depth of the cutout	260

		mm
(A)	Overall height of rangehood without ducting adapter	316
(B)	Overall height of rangehood with ducting adapter	398
(C)	Overall width of rangehood	530
(D)	Overall depth of rangehood	280
(E)	Diameter of ducting outlet	200

FISHER & PAYKEL

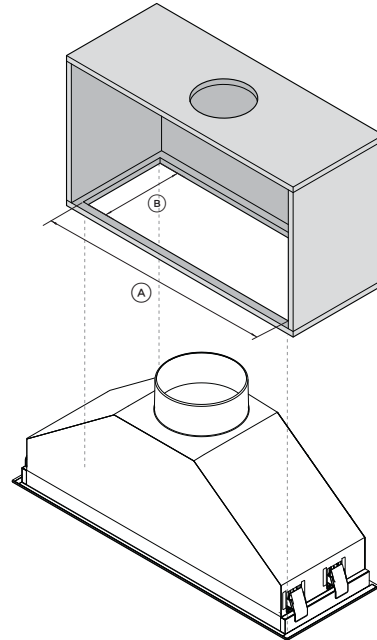
PRELIMINARY SPECIFICATION GUIDE

INTEGRATED INSERT RANGEHOOD, 90CM WITH EXTERNAL BLOWER

SPECIFICATIONS

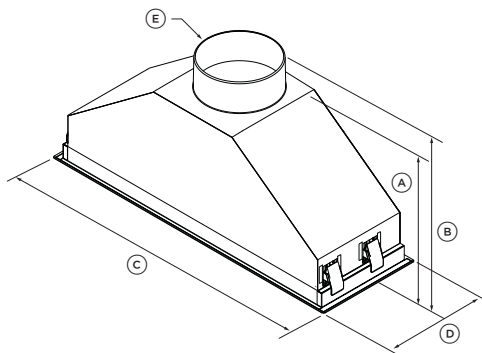
Model No.	HP90IDCHEX3 (1200m ³ /hour airflow)
Dimensions	H 316mm x W 830 x D 280mm
Diameter of vent connection	200mm
Weight	8.4kg
Install option	Only roof mount external blower, external duct
Minimum distance above cooktops	Consult the cooktop installation guide for details of the required installation height of the rangehood
Electrical	
Supply	230VAC, 50Hz
outlet	3 pin plug
Light source	
Type	LED strip
Temperature	3000K

CAVITY DIMENSIONS: STANDARD INSTALLATION



		mm
(A)	Overall width of the cutout	800
(B)	Overall depth of the cutout	260

PRODUCT DIMENSIONS



ISO VIEW

		mm
(A)	Overall height of rangehood without ducting adapter	316
(B)	Overall height of rangehood with ducting adapter	398
(C)	Overall width of rangehood	830
(D)	Overall depth of rangehood	280
(E)	Diameter of ducting outlet	200

FISHER & PAYKEL

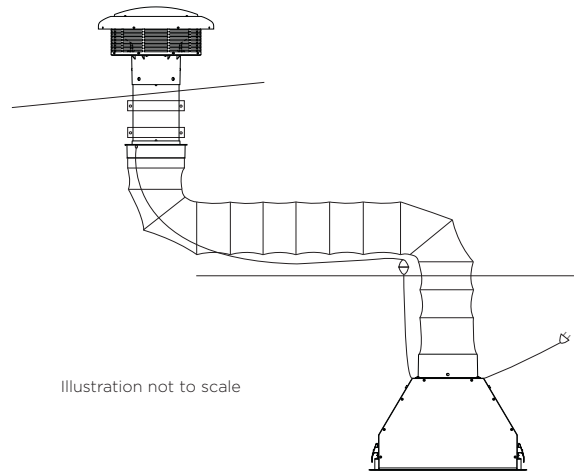
PRELIMINARY SPECIFICATION GUIDE

SILENT EXTERNAL BLOWER

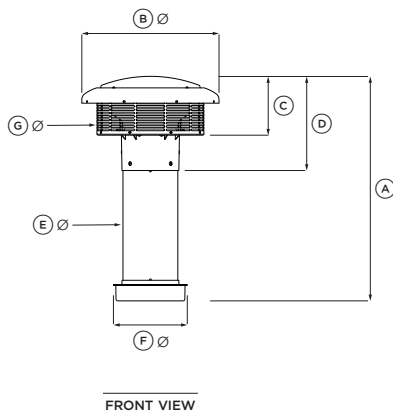
SPECIFICATIONS

Model No.	HB1200E for use with HP60IDCHEX3 and HP90IDCHEX3 model rangehoods
Dimensions	H 755mm x Ø 400mm
Diameter of vent connection	200mm
Weight	5.3kg
Install option	Only with compatible rangehood. Roof mount external blower, external duct
Distance from rangehood	4 - 6m
Electrical	
Supply	230VAC, 50Hz
Outlet	3 pin plug
Length of power cord	6000mm

INSTALLATION REQUIREMENTS



PRODUCT DIMENSIONS



		mm
(A)	Overall height	755
(B)	Overall diameter	400
(C)	Height of the blower unit	174
(D)	Height of external blower and backdraft damper	275
(E)	Outer diameter of roof pipe	160
(F)	Diameter of ducting outlet	200
(G)	Diameter of grill	315

For optimum performance of this blower:

- Mount the blower with 4 - 6m of ducting.
- Mount the blower 4 - 6m from the rangehood.
- Use only the supplied Fisher & Paykel flexible ducting. If additional ducting is required this can be purchased from Fisher & Paykel.
- Extend ducting and cut to required length.
- Bends in ducting should be smooth, gradual and have a radius of at least two times the duct diameter.
- Ducting from rangehood to blower has at least 2 bends.