

FISHER & PAYKEL

PRELIMINARY SPECIFICATION GUIDE

INDUCTION COOKTOP SERIES 9, MINIMAL STYLE



OVERVIEW

Designed to fit flush with the benchtop and match Fisher & Paykel's Minimal and Contemporary appliance collections, these Induction Cooktops deliver powerful modern functionality with a singular aesthetic treatment. Induction zones can be bridged to form SmartZones, enabling greater cooking flexibility. Matte black detailing adds subtle texture to the black glass cooking surface for a beautifully refined hob.

MODELS

Induction Cooktop, 90cm, 5 Zone, with SmartZone
CI905DTB4

Induction Cooktop, 76cm, 4 Zone
CI764DTB4

Induction Cooktop, 60cm, 4 Zone, with SmartZone
CI604DTB4

Induction Cooktop, 60cm, 3 Zone
CI603DTB4

Induction Cooktop, 30cm, 2 Zone, with SmartZone
CI302DTB4

SERIES & STYLE

Series 9
Minimal Style

FEATURES

- ① Designed to fit flush in benchtop
- ② Designed to match Fisher & Paykel family of kitchen appliances
- ③ Matte black enamel ink separating cooking zone and controls
- ④ Superior efficiency. No heat is wasted with induction technology
- ⑤ Easy cleaning smooth ceramic glass surface
- ⑥ Touch&Slide controls react immediately, go from a boil to a simmer in seconds
- ⑦ SmartZone links two cooking zones providing flexibility for large cookware
- ⑧ Dual Zone automatically detects size of cookware
- ⑨ PowerBoost and GentleHeat deliver very high to very low heats.
- ⑩ Integrated timer as minute minder and auto-shut-off

ACCESSORIES

- ① Optional joining kit to pair multiple Fisher & Paykel cooktops

FISHER & PAYKEL

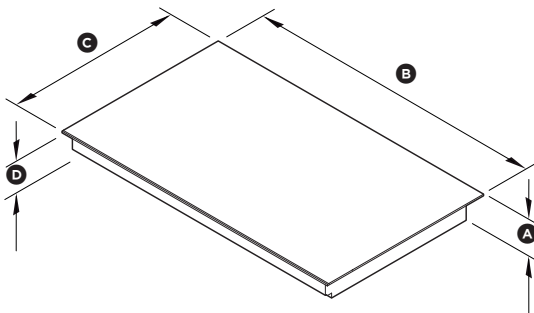
PRELIMINARY SPECIFICATION GUIDE

INDUCTION COOKTOP, 90CM SERIES 9, MINIMAL STYLE

SPECIFICATIONS

Model No.	CI905DTB4
Dimensions	H 54mm x W 899mm x D 530mm
Electrical	
Supply	220/240 VAC, 50Hz
Max Current Draw	43 amp
Connection	Terminal block

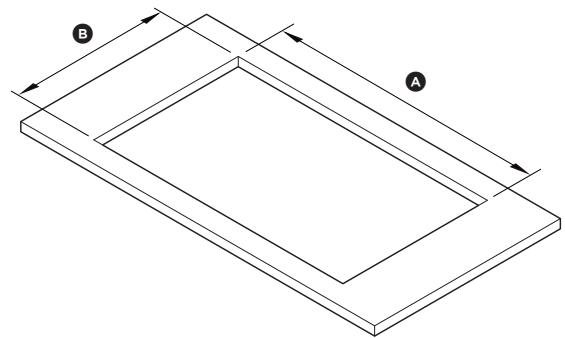
PRODUCT DIMENSIONS



ISO VIEW

		mm
(A)	Overall height	54
(B)	Overall width	899
(C)	Overall depth	530
(D)	Height of chassis	48

CUTOUT DIMENSIONS: STANDARD INSTALLATION



ISO VIEW

		mm
(A)	Overall width of cutout*	870
(B)	Overall depth of cutout*	494

*Note: cutout position is not centred to the cooktop.

FISHER & PAYKEL

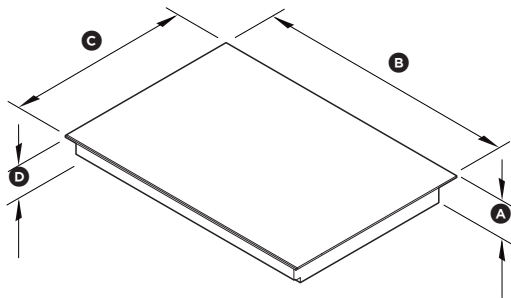
PRELIMINARY SPECIFICATION GUIDE

INDUCTION COOKTOP, 76CM SERIES 9, MINIMAL STYLE

SPECIFICATIONS

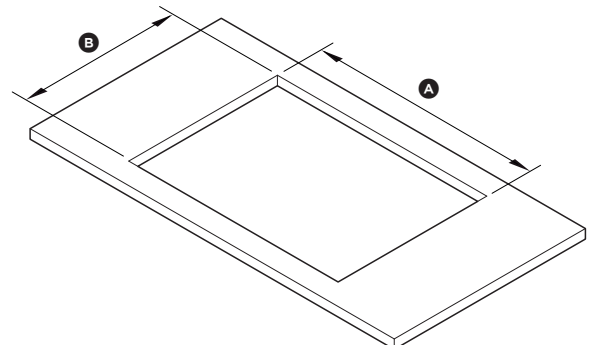
Model No.	CI764DTB4
Dimensions	H 54mm x W 759mm x D 530mm
Electrical	
Supply	220/240 VAC, 50Hz
Max Current Draw	32 amp
Connection	Terminal block

PRODUCT DIMENSIONS



ISO VIEW

CUTOUT DIMENSIONS: STANDARD INSTALLATION



ISO VIEW

		mm
(A)	Overall height	54
(B)	Overall width	759
(C)	Overall depth	530
(D)	Height of chassis	48

		mm
(A)	Overall width of cutout*	725
(B)	Overall depth of cutout*	490

*Note: cutout position is not centred to the cooktop.

FISHER & PAYKEL

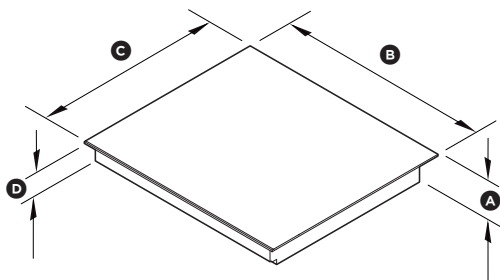
PRELIMINARY SPECIFICATION GUIDE

INDUCTION COOKTOP, 60CM SERIES 9, MINIMAL STYLE

SPECIFICATIONS

Model No.	CI604DTB4, CI603DTB4
Dimensions	H 54mm x W 599mm x D 530mm
Electrical	
Supply	220/240 VAC, 50Hz
Max Current Draw	32 amp
Connection	Terminal block

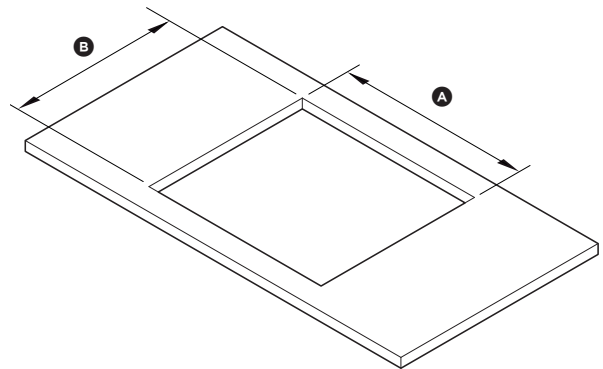
PRODUCT DIMENSIONS



ISO VIEW

		mm
(A)	Overall height	54
(B)	Overall width	599
(C)	Overall depth	530
(D)	Height of chassis	48

CUTOUT DIMENSIONS: STANDARD INSTALLATION



ISO VIEW

		mm
(A)	Overall width of cutout*	560
(B)	Overall depth of cutout*	490

*Note: cutout position is not centred to the cooktop.

FISHER & PAYKEL

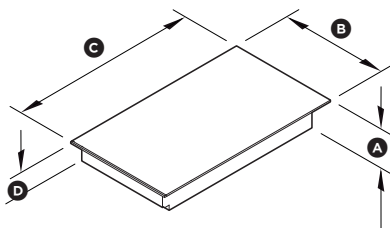
PRELIMINARY SPECIFICATION GUIDE

INDUCTION COOKTOP, 30CM SERIES 9, MINIMAL STYLE

SPECIFICATIONS

Model No.	CI302DTB4
Dimensions	H 54mm x W 299mm x D 530mm
Electrical	
Supply	220/240 VAC, 50Hz
Max Current Draw	16 amp
Connection	Flex cord

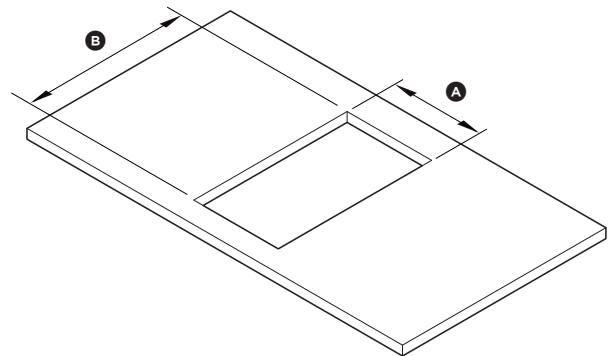
PRODUCT DIMENSIONS



ISO VIEW

		mm
(A)	Overall height	54
(B)	Overall width	299
(C)	Overall depth	530
(D)	Height of chassis	48

CUTOUT DIMENSIONS: STANDARD INSTALLATION



ISO VIEW

		mm
(A)	Overall width of cutout	265
(B)	Overall depth of cutout	490