

FISHER & PAYKEL

PRELIMINARY SPECIFICATION GUIDE

INDUCTION COOKTOP SERIES 9, MINIMAL STYLE



OVERVIEW

Designed to fit flush with the benchtop and match Fisher & Paykel's Minimal and Contemporary appliance collections, these Induction Cooktops deliver powerful modern functionality with a singular aesthetic treatment. Induction zones can be bridged to form SmartZones, enabling greater cooking flexibility. Matte black detailing adds subtle texture to the black glass cooking surface for a beautifully refined hob.

MODELS

Induction Cooktop, 90cm, 5 Zone, with SmartZone
CI905DTB4

Induction Cooktop, 76cm, 4 Zone
CI764DTB4

Induction Cooktop, 60cm, 4 Zone, with SmartZone
CI604DTB4

Induction Cooktop, 60cm, 3 Zone
CI603DTB4

Induction Cooktop, 30cm, 2 Zone, with SmartZone
CI302DTB4

SERIES & STYLE

Series 9
Minimal Style

FEATURES

- ① Designed to fit flush in benchtop
- ② Designed to match Fisher & Paykel family of kitchen appliances
- ③ Matte black enamel ink separating cooking zone and controls
- ④ Superior efficiency. No heat is wasted with induction technology
- ⑤ Easy cleaning smooth ceramic glass surface
- ⑥ Touch&Slide controls react immediately, go from a boil to a simmer in seconds
- ⑦ SmartZone links two cooking zones providing flexibility for large cookware
- ⑧ Dual Zone automatically detects size of cookware
- ⑨ PowerBoost and GentleHeat deliver very high to very low heats.
- ⑩ Integrated timer as minute minder and auto-shut-off

ACCESSORIES

- ① Optional joining kit to pair multiple Fisher & Paykel cooktops

FISHER & PAYKEL

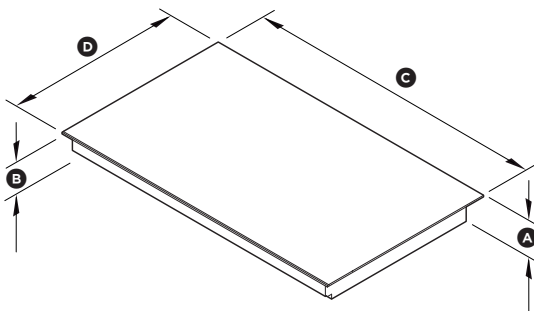
PRELIMINARY SPECIFICATION GUIDE

INDUCTION COOKTOP, 90CM SERIES 9, MINIMAL STYLE

SPECIFICATIONS

Model No.	CI905DTB4
Dimensions	H 98mm x W 900mm x D 530mm
Supply	120/240 VAC, 50Hz
Max Current Draw	50 amp
Service	50-amp circuit
Connection	Conduit

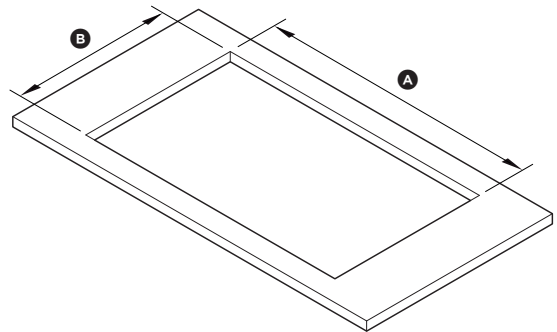
PRODUCT DIMENSIONS



ISO VIEW

		mm
(A)	Overall height	98
(B)	Height of chassis (incl. conduit)	93
(C)	Overall width	900
(D)	Overall depth	530

CUTOUT DIMENSIONS: STANDARD INSTALLATION



ISO VIEW

		mm
(A)	Overall width of cutout*	870
(B)	Overall depth of cutout*	494

*Note: cutout position is not centred to the cooktop.

FISHER & PAYKEL

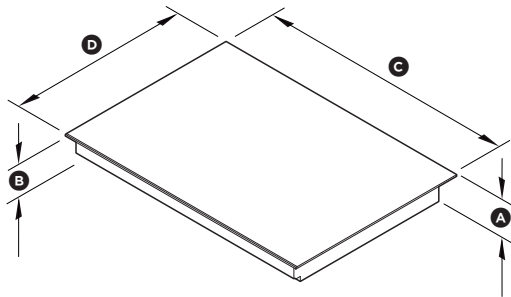
PRELIMINARY SPECIFICATION GUIDE

INDUCTION COOKTOP, 76CM SERIES 9, MINIMAL STYLE

SPECIFICATIONS

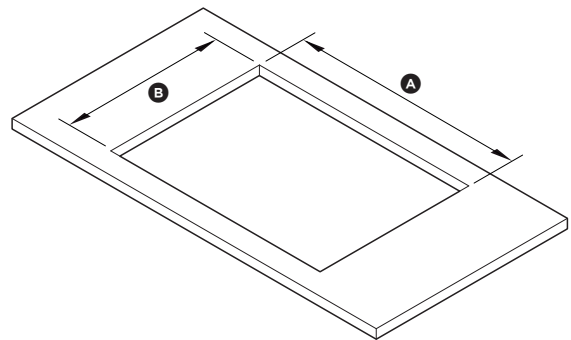
Model No.	CI764DTB4
Dimensions	H 98mm x W 760mm x D 530mm
Electrical	
Supply	120/240 VAC, 60Hz
Max Current Draw	50 amp
Service	50-amp circuit
Connection	Conduit

PRODUCT DIMENSIONS



ISO VIEW

CUTOUT DIMENSIONS: STANDARD INSTALLATION



ISO VIEW

		mm
(A)	Overall height	98
(B)	Height of chassis (incl. conduit)	93
(C)	Overall width	760
(D)	Overall depth	530

		mm
(A)	Overall width of cutout*	730
(B)	Overall depth of cutout*	490

*Note: cutout position is not centred to the cooktop.

FISHER & PAYKEL

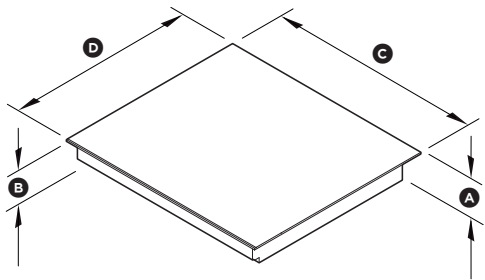
PRELIMINARY SPECIFICATION GUIDE

INDUCTION COOKTOP, 60CM SERIES 9, MINIMAL STYLE

SPECIFICATIONS

Model No.	CI604DTB4, CI603DTB4
Dimensions	H 98mm x W 600mm x D 530mm
Electrical	
Supply	120/240 VAC, 60Hz
Max Current Draw	50 amp
Service	50-amp circuit
Connection	Conduit

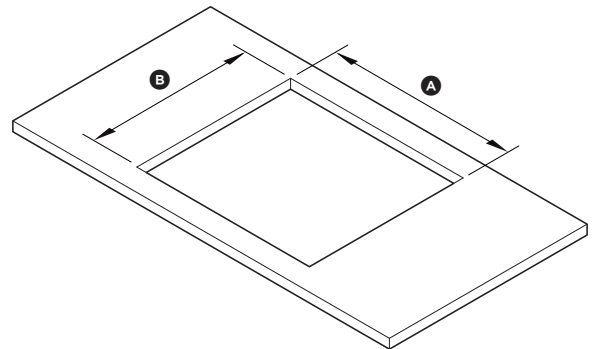
PRODUCT DIMENSIONS



ISO VIEW

		mm
(A)	Overall height	98
(B)	Height of chassis (incl. conduit)	93
(C)	Overall width	600
(D)	Overall depth	530

CUTOUT DIMENSIONS: STANDARD INSTALLATION



ISO VIEW

		mm
(A)	Overall width of cutout*	560
(B)	Overall depth of cutout*	490

*Note: cutout position is not centred to the cooktop.

FISHER & PAYKEL

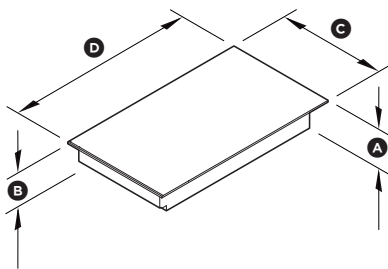
PRELIMINARY SPECIFICATION GUIDE

INDUCTION COOKTOP, 30CM SERIES 9, MINIMAL STYLE

SPECIFICATIONS

Model No.	CI302DTB4
Dimensions	H 68mm x W 300mm x D 530mm
Electrical	
Supply	120/240 VAC, 60Hz
Max Current Draw	50 amp
Service	50-amp circuit
Connection	Conduit

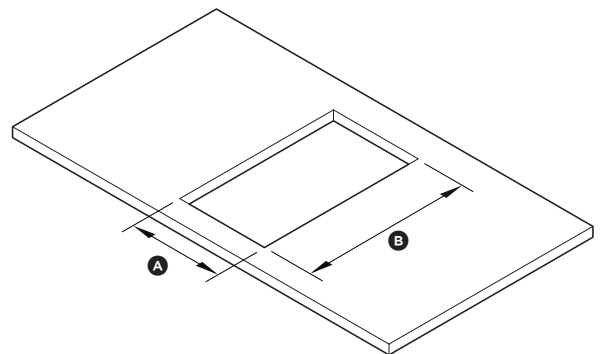
PRODUCT DIMENSIONS



ISO VIEW

		mm
(A)	Overall height	68
(B)	Height of chassis (incl. conduit)	63
(C)	Overall width	300
(D)	Overall depth	530

CUTOUT DIMENSIONS: STANDARD INSTALLATION



ISO VIEW

		mm
(A)	Overall width of cutout*	270
(B)	Overall depth of cutout*	490

*Note: cutout position is not centred to the cooktop.