

FISHER & PAYKEL

PRELIMINARY SPECIFICATION GUIDE

INDUCTION COOKTOPS SERIES 9, PROFESSIONAL STYLE



OVERVIEW

Designed to fit proud in the countertop and match Fisher & Paykel's Professional appliance collection, these Induction Cooktops deliver powerful modern functionality with refined styling. Individual induction zones can be bridged to form SmartZones, enabling greater cooking flexibility. A bold, distinctive cooktop with an elegant stainless steel trim and subtle matte black detailing that adds texture to the black glass cooking surface.

MODELS

Induction Cooktop, 36", 5 Zone, with SmartZone
CI365PTX4

Induction Cooktop, 30", 4 Zone
CI304PTX4

SERIES & STYLE

Series 9
Professional Style

FEATURES

- ① Designed to fit proud in countertop
- ② Styled to complement our Professional collection of kitchen appliances
- ③ Matte black enamel ink separating cooking zone and controls
- ④ Superior efficiency. No heat is wasted with induction technology
- ⑤ Easy cleaning smooth ceramic glass surface
- ⑥ Touch&Slide controls react immediately, go from a boil to a simmer in seconds
- ⑦ SmartZone links two cooking zones providing flexibility for large cookware
- ⑧ Dual Zone automatically detects size of cookware
- ⑨ PowerBoost and GentleHeat deliver very high to very low heats.
- ⑩ Integrated timer as minute minder and auto-shut-off

ACCESSORIES

- ① Optional joining kit to pair multiple Fisher & Paykel cooktops

FISHER & PAYKEL

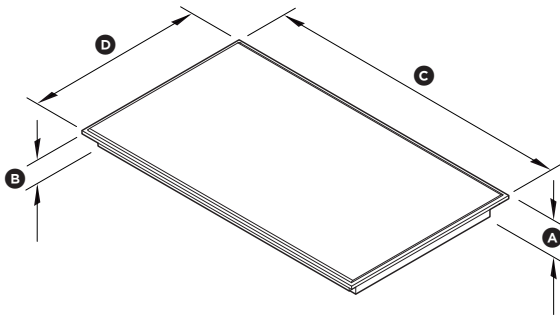
PRELIMINARY SPECIFICATION GUIDE

INDUCTION COOKTOP, 36" SERIES 9, PROFESSIONAL STYLE

SPECIFICATIONS

Model No.	CI365PTX4
Dimensions	H 3 7/8" (98mm) x W 36" (914mm) x D 21" (533mm)
Electrical	
Supply	208/240 VAC, 60Hz
Max Current Draw	39/45 amp
Service	50-amp circuit
Connection	Conduit

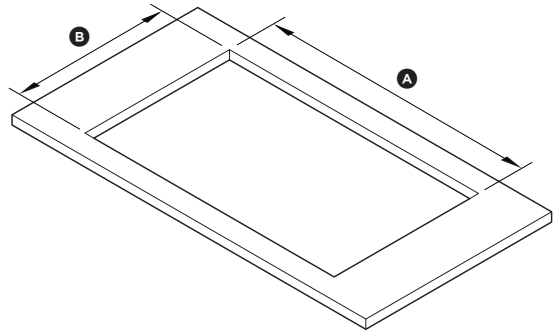
PRODUCT DIMENSIONS



ISO VIEW

		in	mm
(A)	Overall height	3 7/8	98
(B)	Height of chassis (incl. conduit)	3 5/16	84
(C)	Overall width	36	914
(C)	Overall depth	21	533

CUTOUT DIMENSIONS: STANDARD INSTALLATION



ISO VIEW

		in	mm
(A)	Overall width of cutout*	34 1/4	870
(B)	Overall depth of cutout*	19 7/16	494

*Note: cutout position is not centered to the cooktop.

FISHER & PAYKEL

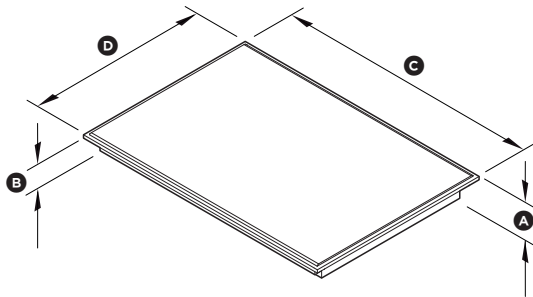
PRELIMINARY SPECIFICATION GUIDE

INDUCTION COOKTOP, 30" SERIES 9, PROFESSIONAL STYLE

SPECIFICATIONS

Model No.	CI304PTX4
Dimensions	H 3 7/8" (98mm) x W 30" (762mm) x D 21" (533mm)
Electrical	
Supply	208/240 VAC, 60Hz
Max Current Draw	39/45 amp
Service	50-amp circuit
Connection	Conduit

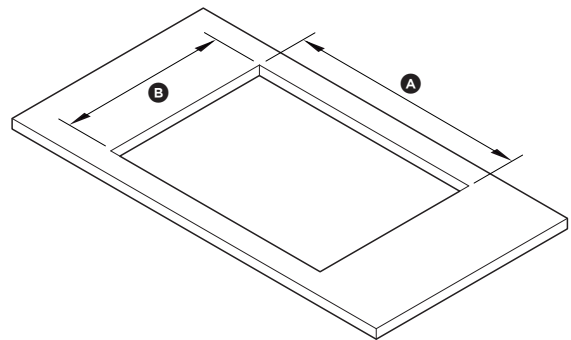
PRODUCT DIMENSIONS



ISO VIEW

		in	mm
(A)	Overall height	3 7/8	98
(B)	Height of chassis (incl. conduit)	3 5/16	84
(C)	Overall width	30	762
(D)	Overall depth	21	533

CUTOUT DIMENSIONS: STANDARD INSTALLATION



ISO VIEW

		in	mm
(A)	Overall width of cutout*	28 3/4	730
(B)	Overall depth of cutout*	19 5/16	490

*Note: cutout position is not centered to the cooktop.