

FISHER & PAYKEL

PRELIMINARY SPECIFICATION GUIDE

INDUCTION COOKTOPS SERIES 9, MINIMAL STYLE



OVERVIEW

Designed to fit flush with the countertop and match Fisher & Paykel's Minimal and Contemporary appliance collections, these Induction Cooktops deliver powerful modern functionality with a singular aesthetic treatment. Induction zones can be bridged to form SmartZones, enabling greater cooking flexibility. Matte black detailing adds subtle texture to the black glass cooking surface for a beautifully refined cooktop.

MODELS

Induction Cooktop, 36", 5 Zone, with SmartZone
CI365DTB4

Induction Cooktop, 30", 4 Zone
CI304DTB4

Induction Cooktop, 24", 4 Zone, with SmartZone
CI244DTB4

Induction Cooktop, 12", 2 Zone, with SmartZone
CI122DTB4

SERIES & STYLE

Series 9
Minimal Style

FEATURES

- ① Designed to fit flush in countertop
- ② Designed to match Fisher & Paykel family of kitchen appliances
- ③ Matte black enamel ink separating cooking zone and controls
- ④ Superior efficiency. No heat is wasted with induction technology
- ⑤ Easy cleaning smooth ceramic glass surface
- ⑥ Touch&Slide controls react immediately, go from a boil to a simmer in seconds
- ⑦ SmartZone links two cooking zones providing flexibility for large cookware
- ⑧ Dual Zone automatically detects size of cookware
- ⑨ PowerBoost and GentleHeat deliver very high to very low heats
- ⑩ Integrated timer as minute minder and auto-shut-off

ACCESSORIES

- ① Optional joining kit to pair multiple Fisher & Paykel cooktops

FISHER & PAYKEL

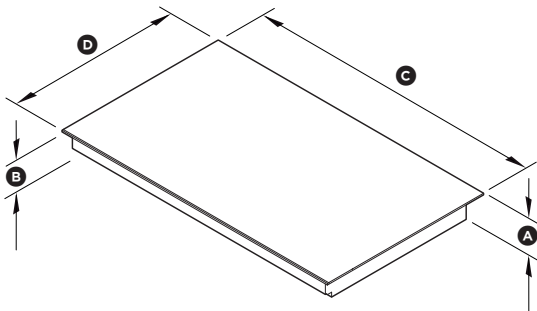
PRELIMINARY SPECIFICATION GUIDE

INDUCTION COOKTOP, 36" SERIES 9, MINIMAL STYLE

SPECIFICATIONS

Model No.	CI365DTB4
Dimensions	H 3 7/8" (98mm) x W 35 7/16" (900mm) x D 20 7/8" (530mm)
Electrical	
Supply	208/240 VAC, 60Hz
Max Current Draw	39/45 amp
Service	50-amp circuit
Connection	Conduit

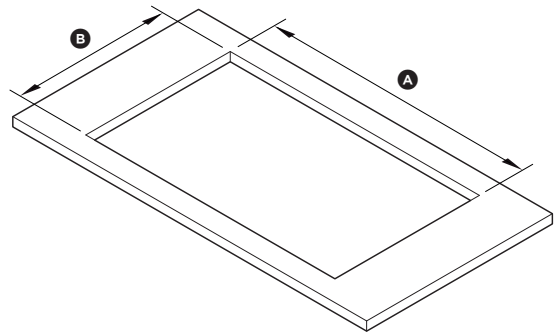
PRODUCT DIMENSIONS



ISO VIEW

		in	mm
(A)	Overall height	3 7/8	98
(B)	Height of chassis (incl. conduit)	3 11/16	93
(C)	Overall width	35 7/16	900
(D)	Overall depth	20 7/8	530

CUTOUT DIMENSIONS: STANDARD INSTALLATION



ISO VIEW

		in	mm
(A)	Overall width of cutout*	34 1/4	870
(B)	Overall depth of cutout*	19 7/16	494

*Note: cutout position is not centered to the cooktop.

FISHER & PAYKEL

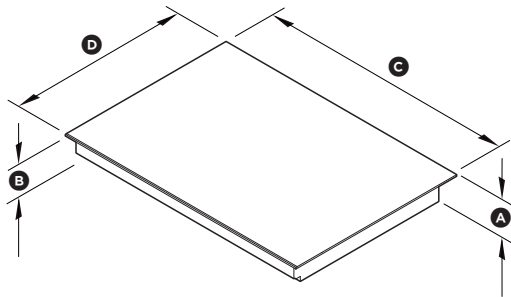
PRELIMINARY SPECIFICATION GUIDE

INDUCTION COOKTOP, 30" SERIES 9, MINIMAL STYLE

SPECIFICATIONS

Model No.	CI304DTB4
Dimensions	H 3 7/8" (98mm) x W 29 15/16" (760mm) x D 20 7/8" (530mm)
Electrical	
Supply	208/240 VAC, 60Hz
Max Current Draw	28/32 amp
Service	50-amp circuit
Connection	Conduit

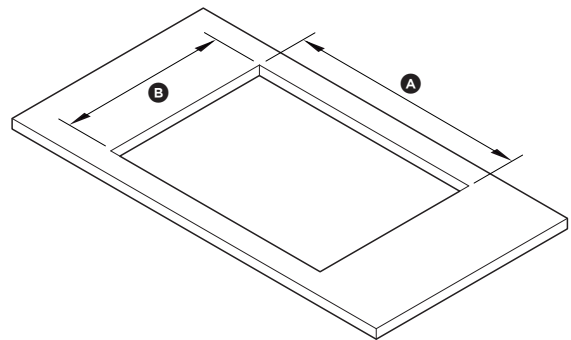
PRODUCT DIMENSIONS



ISO VIEW

		in	mm
(A)	Overall height	3 7/8	98
(B)	Height of chassis (incl. conduit)	3 11/16	93
(C)	Overall width	29 15/16	760
(D)	Overall depth	20 7/8	530

CUTOUT DIMENSIONS: STANDARD INSTALLATION



ISO VIEW

		in	mm
(A)	Overall width of cutout*	28 3/4	730
(B)	Overall depth of cutout*	19 5/16	490

*Note: cutout position is not centered to the cooktop.

FISHER & PAYKEL

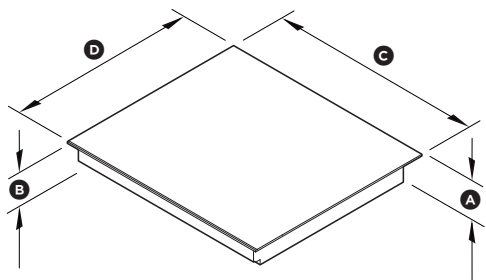
PRELIMINARY SPECIFICATION GUIDE

INDUCTION COOKTOP, 24" SERIES 9, MINIMAL STYLE

SPECIFICATIONS

Model No.	CI244DTB4
Dimensions	H 3 7/8" (98mm) x W 23 5/8" (600mm) x D 20 7/8" (530mm)
Electrical	
Supply	208/240 VAC, 60Hz
Max Current Draw	26/30 amp
Service	50-amp circuit
Connection	Conduit

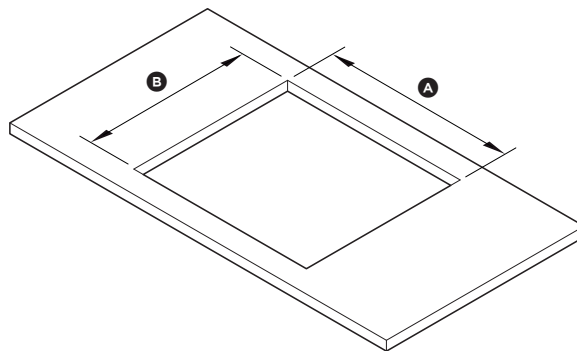
PRODUCT DIMENSIONS



ISO VIEW

		in	mm
(A)	Overall height	3 7/8	98
(B)	Height of chassis (incl. conduit)	3 11/16	93
(C)	Overall width	23 5/8	600
(D)	Overall depth	20 7/8	530

CUTOUT DIMENSIONS: STANDARD INSTALLATION



ISO VIEW

		in	mm
(A)	Overall width of cutout*	22 1/16	560
(B)	Overall depth of cutout*	19 5/16	490

*Note: cutout position is not centered to the cooktop.

FISHER & PAYKEL

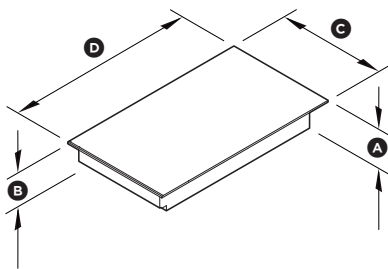
PRELIMINARY SPECIFICATION GUIDE

INDUCTION COOKTOP, 12" SERIES 9, MINIMAL STYLE

SPECIFICATIONS

Model No.	CI122DTB4
Dimensions	H 2 11/16" (68mm) x W 11 13/16" (300mm) x D 20 7/8" (530mm)
Electrical	
Supply	208/240 VAC, 60Hz
Max Current Draw	14/16 amp
Service	50-amp circuit
Connection	Conduit

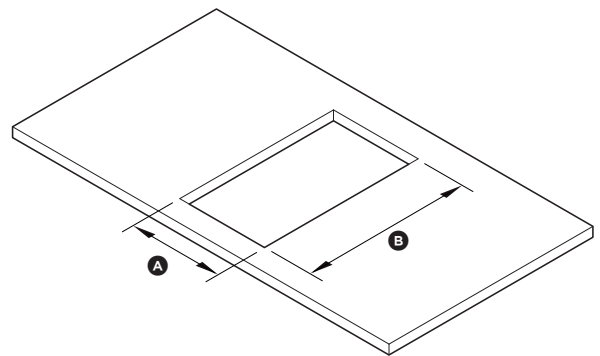
PRODUCT DIMENSIONS



ISO VIEW

		in	mm
(A)	Overall height	2 11/16	68
(B)	Height of chassis (incl. conduit)	2 1/2	63
(C)	Overall width	11 13/16	300
(D)	Overall depth	20 7/8	530

CUTOUT DIMENSIONS: STANDARD INSTALLATION



ISO VIEW

		in	mm
(A)	Overall width of cutout*	10 5/8	270
(B)	Overall depth of cutout*	19 5/16	490

*Note: cutout position is not centered to the cooktop.