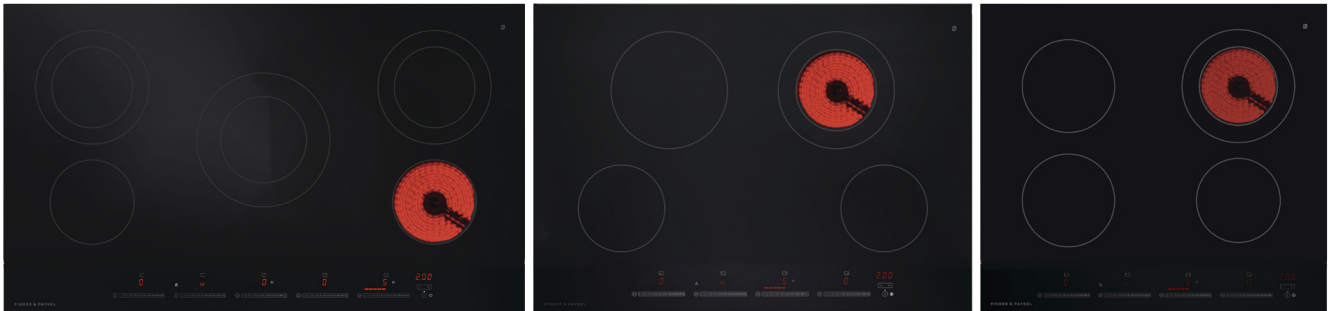


FISHER & PAYKEL

PRELIMINARY SPECIFICATION GUIDE

ELECTRIC COOKTOPS



OVERVIEW

Designed to fit in the countertop with minimal gaps, these Electric Cooktops match Fisher & Paykel's Minimal and Contemporary appliance collections. Ribbon elements heat quickly and evenly, offering modern functionality with a singular aesthetic treatment. Charcoal gray detailing delineates cooking zones and the easy to use Touch&Slide controls. With sophisticated styling, powerful elements and responsive controls, this beautiful cooktop delivers perfect results.

MODELS

Electric Cooktop, 36", 5 zone
CE365DTB1

Electric Cooktop, 30", 4 zone
CE304DTB1

Electric Cooktop, 24", 4 zone
CE244DTB1

SERIES & STYLE

Series 5
Minimal Style

FEATURES

- ① Ceramic glass surface
- ② Touch&Slide interface controls
- ③ Powerful, fast ribbon elements
- ④ Integrated timer as minute minder
- ⑤ Completely flat for easy cleaning
- ⑥ AutoHeat power boost
- ⑦ Designed to match Fisher & Paykel family of kitchen appliances
- ⑧ Charcoal gray enamel ink detailing
- ⑨ Auto shut down when a spill is detected
- ⑩ Key lock for safety

FISHER & PAYKEL

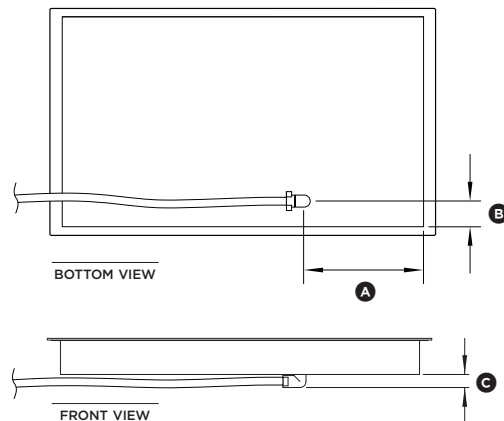
PRELIMINARY SPECIFICATION GUIDE

ELECTRIC COOKTOP, 36", 5 ZONE

SPECIFICATIONS

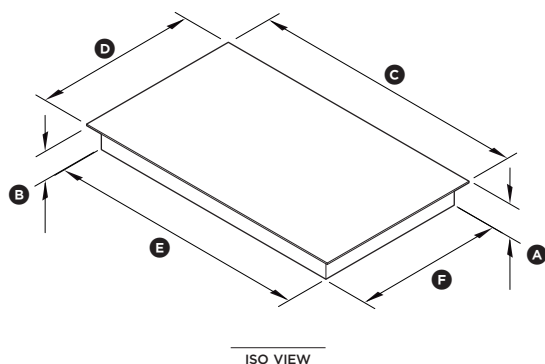
Model No.	CE365DTB1
Dimensions	H 4 1/2" (115mm) x W 35 7/16" (900mm) x D 20 7/8" (530mm)
Electrical	
Supply	240VAC, 60Hz
Max Current draw	39.2 amp
Service	40-amp circuit
Connection	Conduit
Weight	19 kgs

ELECTRICAL DIMENSIONS



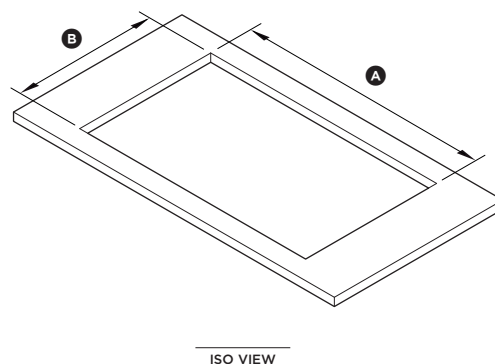
		in	mm
(A)	Distance to center of conduit junction from right side of chassis	9 2/3	245
(B)	Distance to center of conduit junction from rear of chassis	1 6/7	47
(C)	Max height of conduit junction from bottom of chassis	1 1/4	31

PRODUCT DIMENSIONS



		in	mm
(A)	Overall height of cooktop	4 1/2	115
(B)	Height of chassis		
	• including conduit junction	4 5/16	110
	• excluding conduit junction	3 1/8	79.5
(C)	Overall width of cooktop	35 7/16	900
(D)	Overall depth of cooktop	20 7/8	530
(E)	Width of chassis	33 3/16	843
(F)	Depth of chassis	19 5/16	490

CUTOUT DIMENSIONS: STANDARD INSTALLATION



		in	mm
(A)	Overall width of cutout	33 7/16	850
(B)	Overall depth of cutout	19 1/2	495

Cutout position is centered to the cooktop.

FISHER & PAYKEL

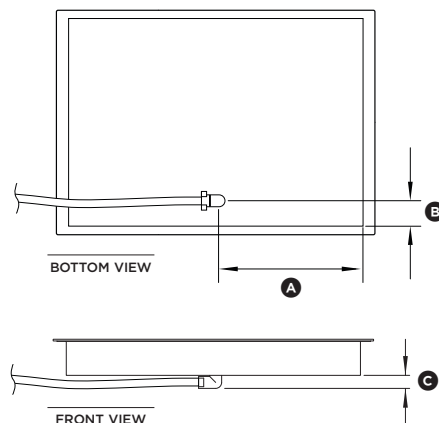
PRELIMINARY SPECIFICATION GUIDE

ELECTRIC COOKTOP, 30", 4 ZONE

SPECIFICATIONS

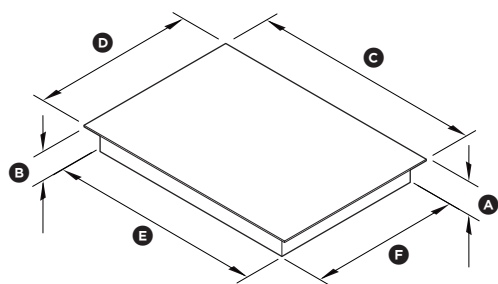
Model No.	CE304DTB1
Dimensions	H 4 1/2" (115mm) x W 29 1/2" (750mm) x D 20 7/8" (530mm)
Electrical	
Supply	240VAC, 60Hz
Max Current draw	26.7 amp
Service	30-amp circuit
Connection	Conduit
Weight	16kg

ELECTRICAL DIMENSIONS



		in	mm
(A)	Distance to center of conduit junction from right side of chassis	13 5/16	304
(B)	Distance to center of conduit junction from rear of chassis	1 6/7	47
(C)	Max height of conduit junction from bottom of chassis	1 1/4	31

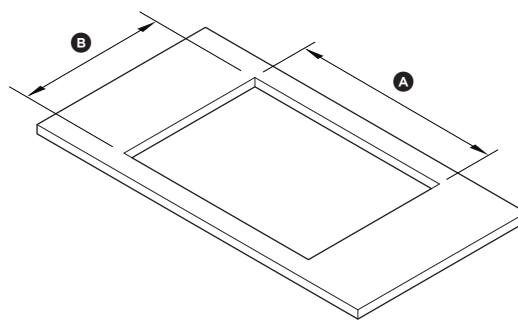
PRODUCT DIMENSIONS



ISO VIEW

		in	mm
(A)	Overall height of cooktop	4 1/2	115
(B)	Height of chassis		
	• including conduit junction	4 5/16	110
	• excluding conduit junction	3 1/8	79.5
(C)	Overall width of cooktop	29 1/2	750
(D)	Overall depth of cooktop	20 7/8	530
(E)	Width of chassis	27 1/8	689
(F)	Depth of chassis	19 5/16	490

CUTOUT DIMENSIONS: STANDARD INSTALLATION



ISO VIEW

		in	mm
(A)	Overall width of cutout	27 9/16	700
(B)	Overall depth of cutout	19 1/2	495

Cutout position is centered to the cooktop.

FISHER & PAYKEL

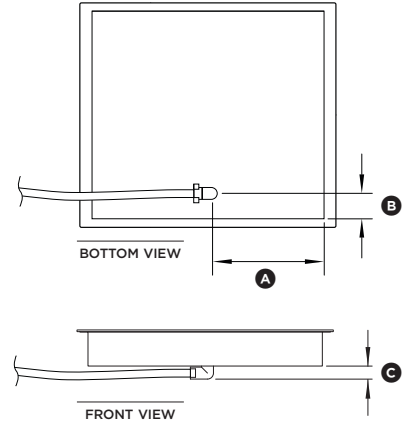
PRELIMINARY SPECIFICATION GUIDE

ELECTRIC COOKTOP, 24", 4 ZONE

SPECIFICATIONS

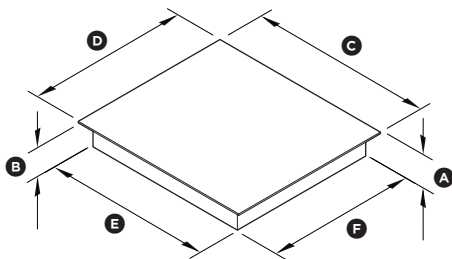
Model No.	CE244DTB1
Dimensions	H 4 1/2" (115mm) x W 23 5/8" (600mm) x D 20 7/8" (530mm)
Electrical	
Supply	240VAC, 60Hz
Max Current draw	25.8 amp
Service	30-amp circuit
Connection	Conduit
Weight	14kg

ELECTRICAL DIMENSIONS



		in	mm
(A)	Distance to center of conduit junction from right side of chassis	9 1/5	234
(B)	Distance to center of conduit junction from rear of chassis	1 6/7	47
(C)	Max height of conduit junction from bottom of chassis	1 1/4	31

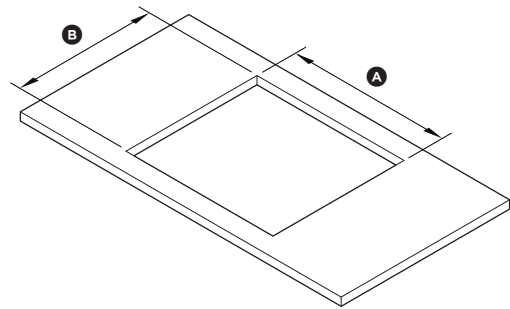
PRODUCT DIMENSIONS



ISO VIEW

		in	mm
(A)	Overall height of cooktop	4 1/2	115
(B)	Height of chassis		
	• including conduit junction	4 5/16	110
	• excluding conduit junction	3 1/8	79.5
(C)	Overall width of cooktop	23 5/8	600
(D)	Overall depth of cooktop	20 7/8	530
(E)	Width of chassis	21 5/8	549
(F)	Depth of chassis	19 5/16	490

CUTOUT DIMENSIONS: STANDARD INSTALLATION



ISO VIEW

		in	mm
(A)	Overall width of cutout	21 7/8	555
(B)	Overall depth of cutout	19 1/12	495

Cutout position is centered to the cooktop.