

FISHER & PAYKEL

PRELIMINARY SPECIFICATION GUIDE

DOUBLE OVEN, 30" 4.1 CU FT + 4.1 CU FT, SELF-CLEANING

OVERVIEW

Wrap up a professional-style kitchen design with the 30" double oven. It matches perfectly with any of our Professional kitchen appliances to deliver the feel of a commercial kitchen in the home. Intuitive controls and the performance to deliver perfect results make this double oven beautiful to use.

MODELS

Double Oven, 30", 4.1 cu ft + 4.1 cu ft, 17 Function, Self-cleaning, Stainless Steel, Touchscreen
OB30DPPTX1

STYLE & SERIES

Series 9
Professional Style

FEATURES

Designed to fit flush with cabinetry

Designed to match the rest of Fisher & Paykel's professional style family of appliances

High-resolution, user-friendly touch display

Generous 4.1 cu ft total capacity per oven

Guided cooking and recipes

Perfect results from 17 oven functions including Roast and Vent Bake, as well as new functions Air Fry, Dehydrate and Rapid Proof

Even heat distribution throughout with AeroTech™ technology

Self-cleaning function breaks down food residue for an easy clean

Triple-glazed CoolTouch door is safe to touch from the outside



ACCESSORIES

Full extension sliding shelves

Self-cleaning-proof side racks

Roasting dish, tray and rack

Food probe

FISHER & PAYKEL

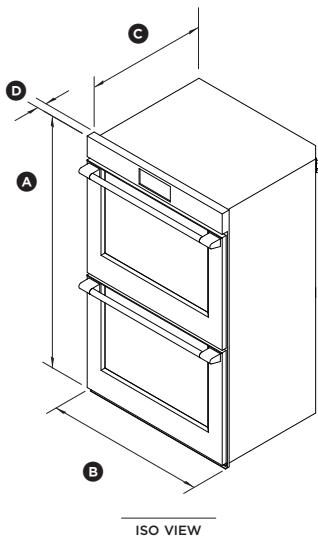
PRELIMINARY SPECIFICATION GUIDE

DOUBLE OVEN, 30" 4.1 CU FT + 4.1 CU FT, SELF-CLEANING

SPECIFICATIONS

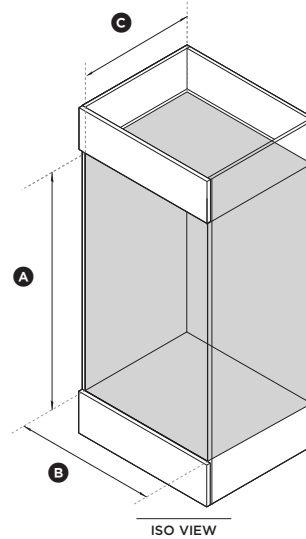
Model No.	OB30DPPTX1
Dimensions	H 48 1/2" (1232mm) x W 29 13/16" (757mm) x D 22 4/9" (569mm)
Total capacity	4.1 cu ft (116L) per oven
Weight	405lb (184kg)
Electrical	
Supply	208-240VAC, 60Hz
Service	33.2-38.3-amp circuit

PRODUCT DIMENSIONS



		in	mm
Ⓐ	Overall height	48 1/2	1232
Ⓑ	Overall width	29 13/16	760
Ⓒ	Depth of chassis	23 15/16	608
Ⓓ	Depth of oven chassis and front frame (excl. dials, handle and front black stainless trim)	1 4/7	40

CAVITY DIMENSIONS: STANDARD INSTALLATION



		in	mm
Ⓐ	Minimum inside height of cavity	48 3/16	1224
Ⓑ	Minimum inside width of cavity	28 1/2	724
Ⓒ	Minimum inside depth of cavity		
	• proud install	22 5/8"	575
	• flush install	24 3/16"	614