

FISHER & PAYKEL

PRELIMINARY SPECIFICATION GUIDE

DOUBLE OVEN, 76CM 115L + 115L, PYROLYTIC SELF-CLEANING

OVERVIEW

Enhance your kitchen design with the refined styling of the 76cm double oven. Complementing the other products in our Contemporary collection, you can create a coherent, considered look with ease. Intuitive controls and the performance to deliver perfect results make this double oven beautiful to use.

MODELS

Double Oven, 76cm, 115L + 115L, 17 Function, Pyrolytic Self-cleaning, Stainless Steel, Dial Controls, Touchscreen OB76DDPTDX1

STYLE & SERIES

Series 9
Contemporary Style

FEATURES

Designed to fit flush with cabinetry

Styled to complement our Contemporary collection of kitchen appliances

High-resolution, user-friendly touch display

Generous 115L total capacity per oven

Guided cooking and recipes

Perfect results from 17 oven functions including Roast and Vent Bake, as well as new functions Air Fry, Dehydrate and Rapid Proof

Even heat distribution throughout with AeroTech™ technology

Self-cleaning function breaks down food residue for an easy clean

Triple-glazed CoolTouch door is safe to touch from the outside



ACCESSORIES

Full extension sliding shelves

Self-cleaning-proof side racks

Roasting dish, tray and rack

Food probe

FISHER & PAYKEL

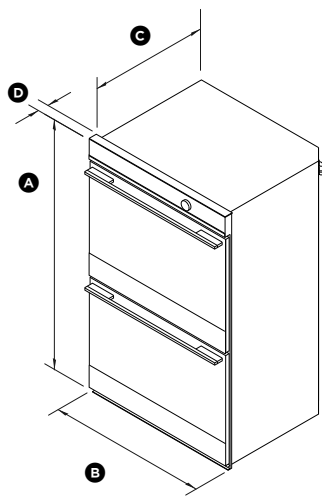
PRELIMINARY SPECIFICATION GUIDE

DOUBLE OVEN, 76CM 115L + 115L, PYROLYTIC SELF-CLEANING

SPECIFICATIONS

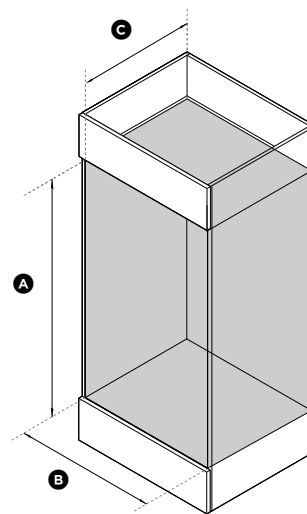
Model No.	OB76DDPTDX1
Dimensions	H 1232mm x W 760mm x D 608mm
Total capacity	115L per oven
Weight	186kg
Electrical	
Supply	220 - 240VAC, 50Hz
Service	16.6 - 19.4-amp circuit

PRODUCT DIMENSIONS



ISO VIEW

CAVITY DIMENSIONS: STANDARD INSTALLATION



ISO VIEW

		mm
(A)	Overall height	1232
(B)	Overall width	760
(C)	Depth of chassis	569
(D)	Depth of oven front and control panel (excl. handle and dials)	40
	Depth of upper door when fully open (measured from front of control panel)	550
	Depth of lower door when fully open (measured from front of control panel)	530

		mm
(A)	Minimum inside height of cavity	1224
(B)	Minimum inside width of cavity	724
(C)	Minimum inside depth of cavity	
	• proud install	575
	• flush install	614