

FISHER & PAYKEL

PRELIMINARY SPECIFICATION GUIDE

DOUBLE OVEN, 30" 4.1 CU FT + 4.1 CU FT, SELF-CLEANING

OVERVIEW

Enhance your kitchen design with the refined styling of the 30" double oven. Complementing the other products in our Contemporary collection, you can create a coherent, considered look with ease. Intuitive controls and the performance to deliver perfect results make this double oven beautiful to use.

MODELS

Double Oven, 30", 4.1 cu ft + 4.1 cu ft, 17 Function, Self-cleaning, Stainless Steel, Dial Controls, Touchscreen OB30DDPTDX1

STYLE & SERIES

Series 9
Contemporary Style

FEATURES

Designed to fit flush with cabinetry

Styled to complement our Contemporary collection of kitchen appliances

High-resolution, user-friendly touch display

Generous 4.1 cu ft total capacity per oven

Guided cooking and recipes

Perfect results from 17 oven functions including Roast and Vent Bake, as well as new functions Air Fry, Dehydrate and Rapid Proof

Even heat distribution throughout with AeroTech™ technology

Self-cleaning function breaks down food residue for an easy clean

Triple-glazed CoolTouch door is safe to touch from the outside



ACCESSORIES

Full extension sliding shelves

Self-cleaning-proof side racks

Roasting dish, tray and rack

Food probe

FISHER & PAYKEL

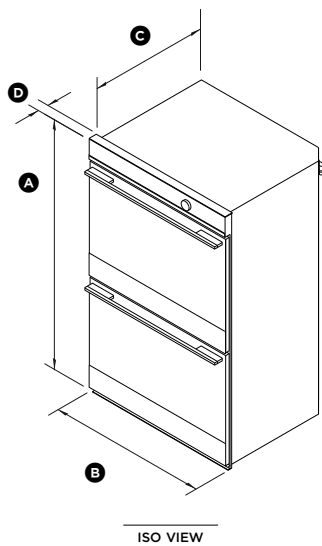
PRELIMINARY SPECIFICATION GUIDE

DOUBLE OVEN, 30" 4.1 CU FT + 4.1 CU FT, SELF-CLEANING

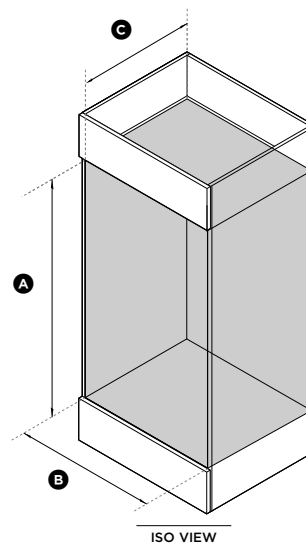
SPECIFICATIONS

Model No.	OB30DDPTDX1
Dimensions	H 48 1/2" x W 29 15/16" x D 23 15/16"
Total capacity	4.1 cu ft per oven
Weight	186 kg (428 lbs)
Electrical	
Supply	208-240VAC, 60Hz
Service	33.2-38.3-amp circuit

PRODUCT DIMENSIONS



CAVITY DIMENSIONS: STANDARD INSTALLATION



		in	mm
(A)	Overall height	48 1/2"	1232
(B)	Overall width	29 15/16"	760
(C)	Depth of chassis	22 3/8"	569
(D)	Depth from front of chassis to front of oven door (excluding handle)	1 9/16"	40
	Depth of upper door when fully open (measured from front of control panel)	21 5/8"	550
	Depth of lower door when fully open (measured from front of control panel)	20 7/8"	530

		in	mm
(A)	Minimum inside height of cavity	48 3/16"	1224
(B)	Minimum inside width of cavity	28 1/2"	724
(C)	Minimum inside depth of cavity		
	• proud install	22 5/8"	575
	• flush install	24 3/16"	614