

# FISHER & PAYKEL

## PRELIMINARY SPECIFICATION GUIDE

## INTEGRATED COLUMN WINE CABINET, 24"



### OVERVIEW

Create a wine lover's ultimate kitchen with the Integrated Column Wine Cabinet. Pair with Column Refrigerators and Freezers or install separately with the freedom to place it wherever suits your vision. Designed to fit flush with cabinetry with minimal gaps and available with a stainless steel or custom panel door\*.

\*Custom Door Panel must leave glass pane visible. A full custom panel sheathing over the glass pane does not meet the specifications of this product.

### MODELS

Integrated Column Wine Cabinet, 24", Panel Ready  
Left Hinge, Stainless Steel Interior  
RS2484VL2K1

Integrated Column Wine Cabinet, 24", Panel Ready  
Right Hinge, Stainless Steel Interior  
RS2484VR2K1

### FEATURES

- ① Flush fit design with 1/8" gaps and hidden ventilation grille
- ② 84" UV-filtering glass door, panel ready or finish with stainless steel panel
- ③ Two independent zones, providing ideal cellar or wine-serving temperatures for red, white and sparkling wines 43–64°F (6–18°C)
- ④ Stainless steel interior
- ⑤ Thirteen beautiful white oak and black aluminum shelves
- ⑥ Capacity for ninety-one bottles
- ⑦ Bright, soft-start low UV LED lighting
- ⑧ Display shelf with display lighting
- ⑨ Low-vibration, full-extension shelf slides and low-noise, low-vibration compressor
- ⑩ Choice of four handle styles

### ACCESSORIES

- ① Stainless Steel Door Panel
- ② Contemporary Square Handle
- ③ Contemporary Round Handle
- ④ Professional Square Handle
- ⑤ Professional Round Handle

# FISHER & PAYKEL

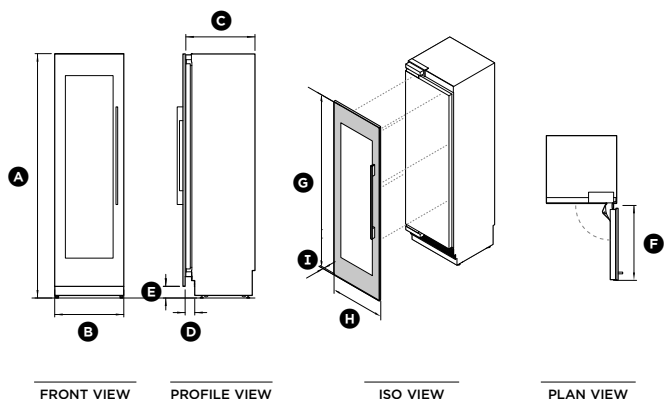
## PRELIMINARY SPECIFICATION GUIDE

## INTEGRATED COLUMN WINE CABINET, 24"

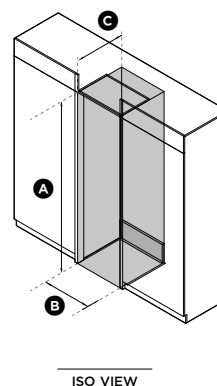
### SPECIFICATIONS

|                       |  |
|-----------------------|--|
| <b>Model No.</b>      | RS2484VL2K1, RS2484VR2K1                           |
| <b>Dimensions</b>     | H 84" (2134mm) x W 23 3/4" (603mm) x D 24" (610mm) |
| <b>Door Clearance</b> | 26" (660mm)  |
| <b>Weight</b>         | 300lb (135kg)                                      |
| <b>Door Hinge</b>     | Hettich KO5  |
| <b>Electrical</b>     |  |
| <b>Supply</b>         | 115VAC, 60Hz                                       |
| <b>Service</b>        | 10-amp circuit                                     |
| <b>Receptacle</b>     | 3-prong grounding-type                             |

### PRODUCT DIMENSIONS



### CAVITY DIMENSIONS: STANDARD INSTALLATION



|     |  | in        | mm     |
|-----|--|-----------|--------|
| (A) | Overall height                                   | 84        | 2134   |
| (B) | Overall width                                    | 23 3/4    | 603    |
| (C) | Overall depth<br>(excl. front door panel)        | 24        | 610    |
| (D) | Depth of toe kick<br>(excl. front of door panel) | 2 7/8 - 4 | 73-102 |
| (E) | Height of toe kick*                              | 2 - 6     | 51-152 |
| (F) | Depth of door (widest opening)                   | 26        | 660    |
| (G) | Height of front panel                            | 79 7/8    | 2029   |
| (H) | Width of front panel                             | 23 3/4    | 603    |
| (I) | Depth of front panel<br>(excl. handle)           | 3/4       | 19     |

|     |  | in  | mm   |
|-----|--|-----|------|
| (A) | Overall height of cavity                                       | 84  | 2134 |
| (B) | Overall width of cavity  | 24  | 610  |
| (C) | Minimum overall depth<br>of cavity*                            | 25  | 635  |
|     | Minimum cabinetry gap<br>clearance from edge of<br>door panels | 1/8 | 3    |
|     | Minimum required finished<br>return, sides and top of cavity   | 4   | 102  |

\*Assumes a door panel thickness of 3/4" (19mm).

\*Standard toe kick height is 4" (102mm) with the optional stainless door panel. For custom door panel installation, a custom toe kick of 2-6" (51-152mm) can be manufactured and fitted by cabinetmaker. The custom door panel height needs to be adjusted accordingly.