

FISHER & PAYKEL

PRELIMINARY SPECIFICATION GUIDE

INTEGRATED RANGEHOOD



OVERVIEW

This high-quality custom, integrated rangehood seamlessly blends with cabinetry and can be installed in a variety of kitchen layouts. Beautiful in its simplicity, the brushed finished surfaces and baffle filters have no visible screws. The energy efficient LED strip-lighting is dimmable with fader controls. It casts a warm glow evenly across the cooking surface with no glare, shadow or dark spots and brings out the natural colour of food. The simple 'push and release' clip-in mechanism allows for easy installation.

MODELS

600mm Integrated rangehood, 700m³/hour airflow with 280mm depth – HPB6028-1

750mm Integrated rangehood, 955m³/hour airflow with 280mm depth – HPB7528-1

750mm deep Integrated rangehood, 955m³/hour airflow with 480mm depth – HPB7548-1

900mm Integrated rangehood, 955m³/hour airflow with 280mm depth – HPB9028-1

900mm Integrated rangehood, 955m³/hour airflow with 480mm depth – HPB9048-1

900mm integrated rangehood, 1910m³/hour airflow with 480mm depth – HPB9048-2

1200mm Integrated rangehood, 1910m³/hour airflow with 480mm depth – HPB12048-2

FEATURES

- ① Seamlessly integrated
- ② Quiet and energy efficient blower
- ③ Dimmable LED strip-lighting creates a warm even glow
- ④ Customisable in wall cabinetry, canopy or island
- ⑤ Two depths (280mm and 480mm) to fit a range of standard upper cabinetry and custom canopy cabinetry designs
- ⑥ 'Push and release' mounting system enables easy installation
- ⑦ Edge to edge grease-capturing zone
- ⑧ Remote control (480mm deep models)
- ⑨ Intuitive LED-illuminated soft touch buttons

FISHER & PAYKEL

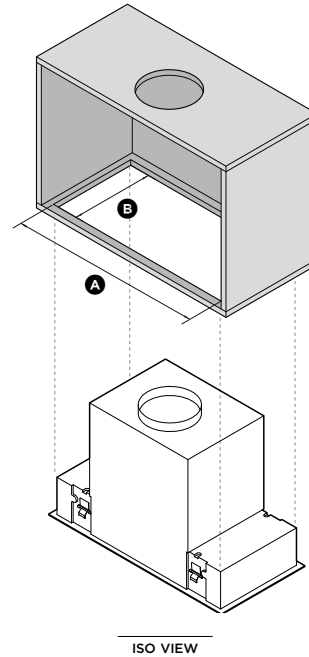
PRELIMINARY SPECIFICATION GUIDE

600MM INTEGRATED RANGEHOOD, WITH 280MM DEPTH

SPECIFICATIONS

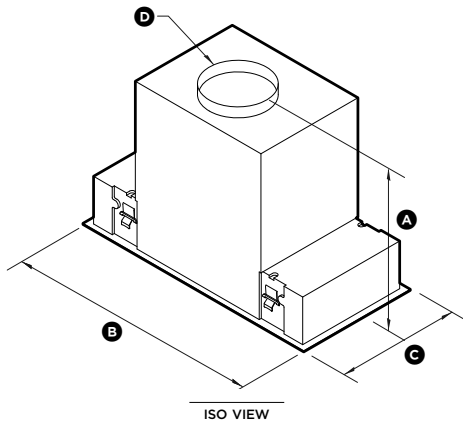
Model No.	HPB6028-1 (700m ³ /hour Airflow)
Dimensions	H 407mm x W 580 x D 280mm
Diameter of vent connection	150mm
Weight	15kg
Install option	Externally duct exhaust air
Minimum distance above cooktops	Consult the cooktop installation guide for details of the required installation height of the rangehood
Electrical	
Supply	230VAC, 50Hz
Service	15 amp circuit
Receptacle	3 pin plug
Light source	
Type	LED strip
Temperature	2700K

CAVITY DIMENSIONS: STANDARD INSTALLATION



ISO VIEW

PRODUCT DIMENSIONS



ISO VIEW

		mm
(A)	Width of cutout	555
(B)	Depth of cutout	255
(A)	Height of rangehood including duct adaptor	407
(B)	Overall width of rangehood	580
(C)	Overall depth of rangehood (excluding cabinetry front panel)	280
(D)	Diameter of ducting adaptor	150

Note: We recommend the cabinet has a door or service panel that can be easily opened to access the power connection.

FISHER & PAYKEL

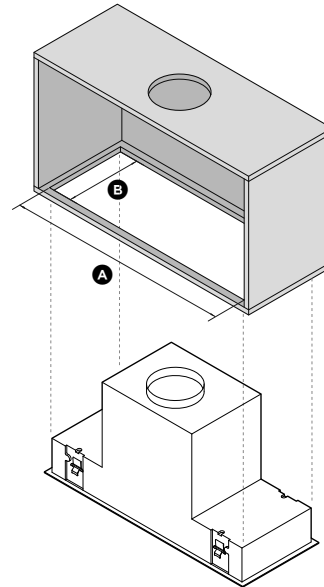
PRELIMINARY SPECIFICATION GUIDE

750MM INTEGRATED RANGEHOOD, WITH 280MM DEPTH

SPECIFICATIONS

Model No.	HPB7528-1 (955m ³ /hour Airflow)
Dimensions	H 407mm x W 730mm x D 280mm
Diameter of vent connection	150mm
Weight	17kg
Install option	Externally duct exhaust air
Minimum distance above cooktops	Consult the cooktop installation guide for details of the required installation height of the rangehood
Electrical	
Supply	230VAC, 50Hz
Service	15 amp circuit
Receptacle	3 pin plug
Light source	
Type	LED strip
Temperature	2700K

CAVITY DIMENSIONS: STANDARD INSTALLATION

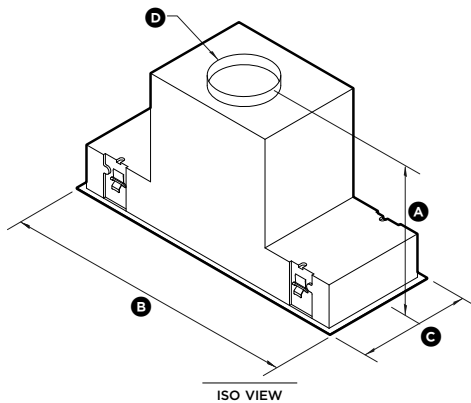


ISO VIEW

		mm
(A)	Width of cutout	705
(B)	Depth of cutout	255

Note: We recommend the cabinet has a door or service panel that can be easily opened to access the power connection.

PRODUCT DIMENSIONS



ISO VIEW

		mm
(A)	Height of rangehood including duct adaptor	407
(B)	Overall width of rangehood	730
(C)	Overall depth of rangehood (excluding cabinetry front panel)	280
(D)	Outside diameter of ducting outlet adaptor	150

FISHER & PAYKEL

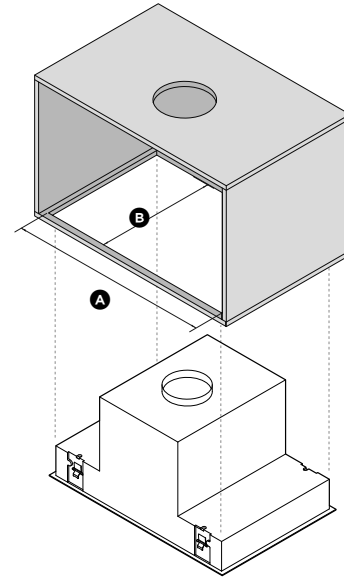
PRELIMINARY SPECIFICATION GUIDE

750MM INTEGRATED RANGEHOOD, WITH 480MM DEPTH

SPECIFICATIONS

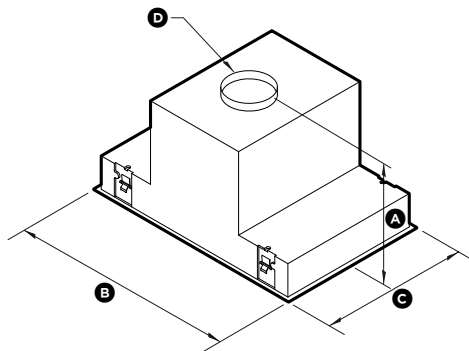
Model No.	HPB7548-1 (955m ³ /hour Airflow)
Dimensions	H 407mm x W 730mm x D 480mm
Diameter of vent connection	150mm
Weight	21kg
Install option	Externally duct exhaust air
Minimum distance above cooktops	Consult the cooktop installation guide for details of the required installation height of the rangehood
Electrical	
Supply	230VAC, 50Hz
Service	15 amp circuit
Receptacle	3 pin plug
Light source	
Type	LED strip
Temperature	2700K

CAVITY DIMENSIONS: STANDARD INSTALLATION



ISO VIEW

PRODUCT DIMENSIONS



ISO VIEW

		mm
A	Height of rangehood including duct adaptor	407
B	Overall width of rangehood	730
C	Overall depth of rangehood (excluding cabinetry front panel)	480
D	Outside diameter of ducting outlet adaptor	150

mm

A	Width of cutout	705
B	Depth of cutout	455

Note: We recommend the cabinet has a door or service panel that can be easily opened to access the power connection.

FISHER & PAYKEL

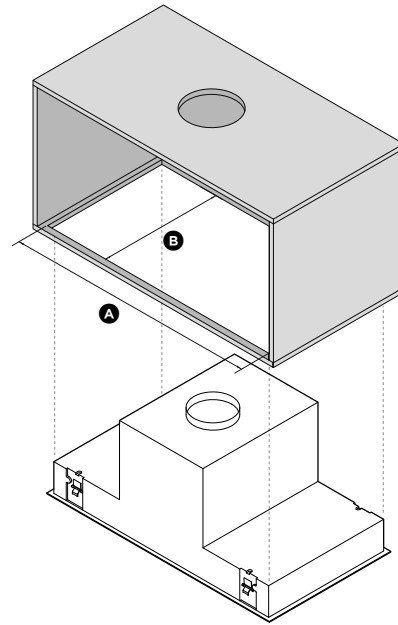
PRELIMINARY SPECIFICATION GUIDE

900MM INTEGRATED RANGEHOOD, WITH 480MM DEPTH

SPECIFICATIONS

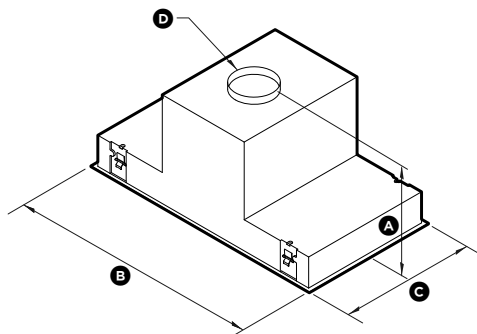
Model No.	HPB9048-1 (955m ³ /hour Airflow)
Dimensions	H 407mm x W 880mm x D 480mm
Diameter of vent connection	150mm
Weight	23kg
Install option	Externally duct exhaust air
Minimum distance above cooktops	Consult the cooktop installation guide for details of the required installation height of the rangehood
Electrical	
Supply	230VAC, 50Hz
Service	15 amp circuit
Receptacle	3 pin plug
Light source	
Type	LED strip
Temperature	2700K

CAVITY DIMENSIONS: STANDARD INSTALLATION



ISO VIEW

PRODUCT DIMENSIONS



ISO VIEW

	mm
(A) Height of rangehood including duct adaptor	407
(B) Overall width of rangehood	880
(C) Overall depth of rangehood (excluding cabinetry front panel)	480
(D) Outside diameter of ducting outlet adaptor	150

mm

(A) Width of cutout	855
(B) Depth of cutout	455

Note: We recommend the cabinet has a door or service panel that can be easily opened to access the power connection.

FISHER & PAYKEL

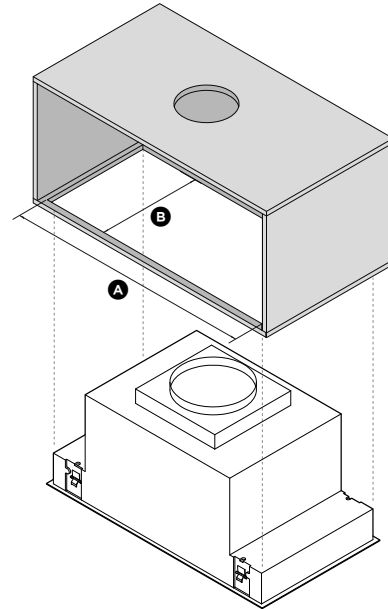
PRELIMINARY SPECIFICATION GUIDE

900MM INTEGRATED RANGEHOOD, WITH 480MM DEPTH

SPECIFICATIONS

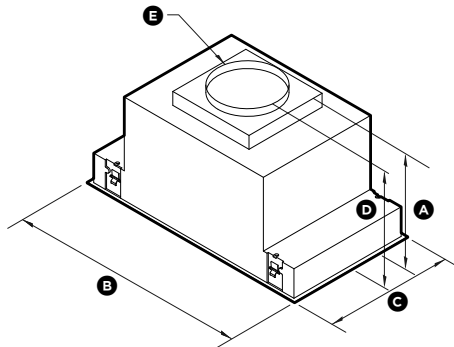
Model No.	HPB9048-2 (1910m ³ /hour Airflow)
Dimensions	H 462mm x W 880mm x D 480mm
Diameter of vent connection	250mm
Weight	31kg
Install option	Externally duct exhaust air
Minimum distance above cooktops	Consult the cooktop installation guide for details of the required installation height of the rangehood
Electrical	
Supply	230VAC, 50Hz
Service	15 amp circuit
Receptacle	3 pin plug
Light source	
Type	LED strip
Temperature	2700K

CAVITY DIMENSIONS: STANDARD INSTALLATION



ISO VIEW

PRODUCT DIMENSIONS



ISO VIEW

		mm
(A)	Height of the rangehood to the top surface of duct adaptor	428
(B)	Overall width of rangehood	880
(C)	Overall depth of rangehood (excluding cabinet front panel)	480
(D)	Overall height of the rangehood (incl. duct adaptor)	462
(E)	Outside diameter of ducting outlet adaptor	250

mm

(A)	Width of cutout	855
(B)	Depth of cutout	455

Note: We recommend the cabinet has a door or service panel that can be easily opened to access the power connection.

FISHER & PAYKEL

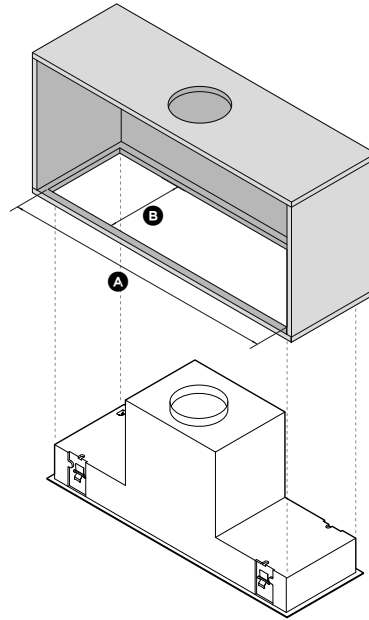
PRELIMINARY SPECIFICATION GUIDE

900MM INTEGRATED RANGEHOOD, WITH 280MM DEPTH

SPECIFICATIONS

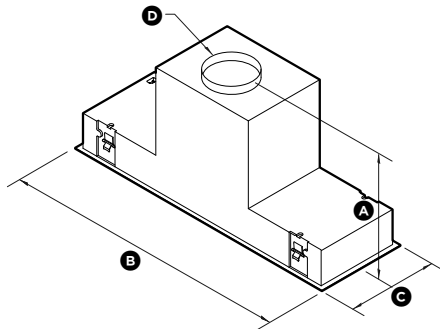
Model No.	HPB9028-1 (955m ³ /hour Airflow)
Dimensions	H 407mm x W 880mm x D 280mm
Diameter of vent connection	150mm
Weight	19kg
Install option	Externally duct exhaust air
Minimum distance above cooktops	Consult the cooktop installation guide for details of the required installation height of the rangehood
Electrical	
Supply	230VAC, 50Hz
Service	15 amp circuit
Receptacle	3 pin plug
Light source	
Type	LED strip
Temperature	2700K

CAVITY DIMENSIONS: STANDARD INSTALLATION



ISO VIEW

PRODUCT DIMENSIONS



ISO VIEW

		mm
(A)	Height of rangehood including duct adaptor	407
(B)	Overall width of rangehood	880
(C)	Overall depth of rangehood (excluding cabinet front panel)	280
(D)	Outside diameter of ducting outlet adaptor	150

mm

(A)	Width of cutout	855
(B)	Depth of cutout	255

Note: We recommend the cabinet has a door or service panel that can be easily opened to access the power connection.

FISHER & PAYKEL

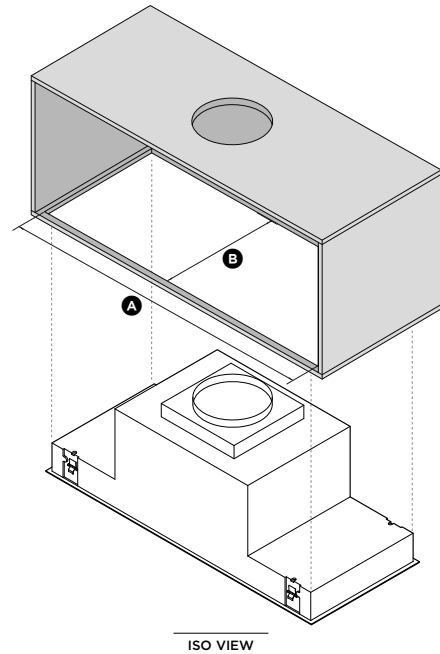
PRELIMINARY SPECIFICATION GUIDE

1200MM DEEP (480MM) INTEGRATED RANGEHOOD

SPECIFICATIONS

Model No.	HPB12048-2 (1910m ³ /hour Airflow)
Dimensions	H 462mm x W 1180mm x D 480mm
Diameter of vent connection	250mm
Weight	35kg
Install option	Externally duct exhaust air
Minimum distance above cooktops	Consult the cooktop installation guide for details of the required installation height of the rangehood
Electrical	
Supply	230VAC, 50Hz
Service	15 amp circuit
Receptacle	3 pin plug
Light source	
Type	LED strip
Temperature	2700K

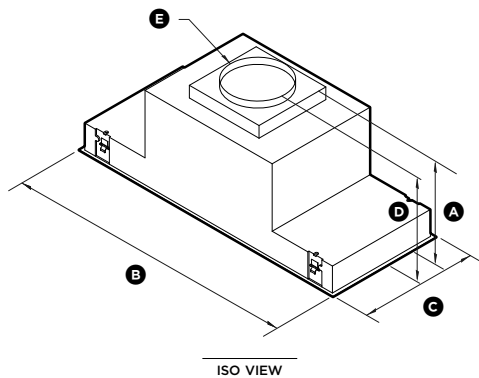
CAVITY DIMENSIONS: STANDARD INSTALLATION



		mm
(A)	Width of cutout	1155
(B)	Depth of cutout	455

Note: We recommend the cabinet has a door or service panel that can be easily opened to access the power connection.

PRODUCT DIMENSIONS



		mm
(A)	Height of the rangehood to the top surface of the duct adaptor	428
(B)	Overall width of rangehood	1180
(C)	Overall depth of rangehood (excluding cabinetry front panel)	480
(D)	Height of the rangehood (incl. duct adaptor)	462
(E)	Outside diameter of ducting outlet adaptor	250