

FISHER & PAYKEL

PRELIMINARY SPECIFICATION GUIDE

INTEGRATED FRENCH DOOR REFRIGERATOR FREEZER, 80CM



OVERVIEW

The Integrated French Door Refrigerator, 80cm, is designed to blend seamlessly behind cabinetry, allowing a variety of kitchen design possibilities. A full set of features deliver optimal food care, flexible storage options and energy savings. Customise with door panels and handles to match the kitchen cabinetry or finish with our stainless steel door panels and brushed aluminum handles.

MODELS

Integrated French Door Refrigerator Freezer, 80cm, Panel Ready
RS80A1

Integrated French Door Refrigerator Freezer, 80cm, Panel Ready,
Ice & Water
RS80AU1

FEATURES

- ① Flush fit with kitchen cabinetry
- ② Choice of door panel and handle styles
- ③ ActiveSmart™ foodcare care helps keep food fresher for longer
- ④ Cantilevered glass shelves
- ⑤ Bright LED lighting
- ⑥ Automatic ice maker and slimline water dispenser available
- ⑦ Easy to access and use touch-control panel
- ⑧ Humidity-controlled vegetable bins
- ⑨ Fast-freeze function
- ⑩ Bottle-chill function

ACCESSORIES

- ① Two handle styles
- ② Stainless steel door panels

FISHER & PAYKEL

PRELIMINARY SPECIFICATION GUIDE

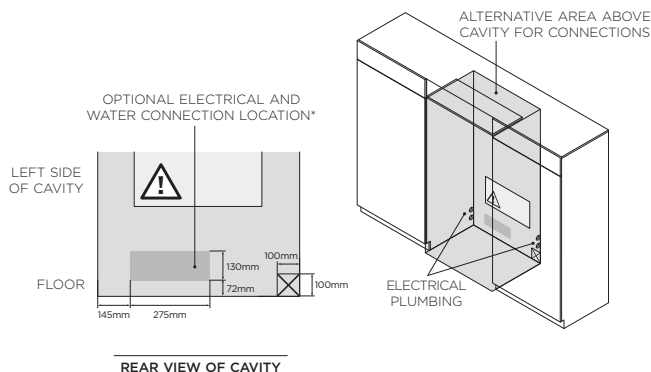
INTEGRATED FRENCH DOOR REFRIGERATOR FREEZER, 80CM

SPECIFICATIONS

Model No.	RS80A1, RS80AU1
Dimensions	H 1798mm x W 790mm x D* 602mm
Door Clearance	395mm
Drawer Clearance*	400mm
Weight	122.5kg
Door Hinge	Hettich KO8
Electrical	
Supply	200 - 240VAC, 50Hz
Service	10-amp circuit
Receptacle	3-prong grounded
Plumbing	
Supply	1/2" BSP threaded water connection 6.35mm PEX tubing
Pressure	Min 150kPa (22psi), max 827kPa (120psi) @ 20°C

*Excl. door panels

ELECTRICAL



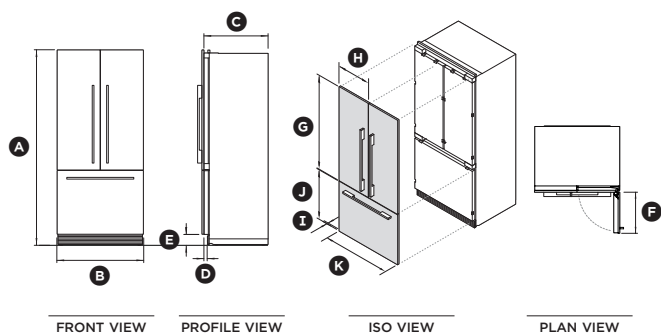
Note: recommended that the electrical and water connection be located in an adjacent cabinet to either side of the fridge or above the fridge cavity.

✗ Do not locate water or electricity in this area, keep clear of connections.

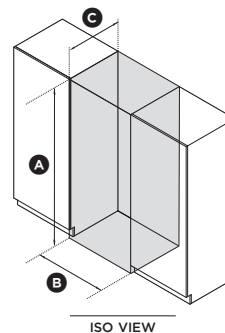
⚠ CAUTION: Central area can only fit water outlet and electrical plug if they are placed within a recessed cavity.

*In this location the water tap needs to be recessed into the wall, the recess must allow for an 80mm bend radius for the water tube.

PRODUCT DIMENSIONS



CAVITY DIMENSIONS: STANDARD INSTALLATION



		mm
(A)	Overall height	1798
(B)	Overall width	790
(C)	Overall depth (excl. front of door panel)	602
(D)	Depth of toe kick (excl. front of door panel)	50
(E)	Height of toe kick	100
(F)	Depth of door (widest opening) measured from front of door	395
(G)	Height of top door panel	1096
(H)	Width of top door panel	396
(I)	Depth of door and drawer panels (excl. handles)	18
(J)	Height of bottom drawer panel	598
(K)	Width of bottom drawer panel	796

		mm
(A)	Overall height of cavity	1800
(B)	Overall width of cavity when adjoining cabinetry can share 4mm door gap cannot share 4mm door gap	800 804
(C)	Minimum overall depth of cavity*	650
	Minimum cabinetry gap clearance from edge of product	4
	Minimum door clearance to adjacent wall (90° - full internal access)	100
	Minimum door clearance to adjacent wall (115° - full door opening)	280

*Assumes a door panel thickness of 19mm.