

# FISHER & PAYKEL

## PRELIMINARY SPECIFICATION GUIDE

## INTEGRATED COLUMN WINE CABINET, 24"



### OVERVIEW

Create a wine lover's ultimate kitchen with the Integrated Column Wine Cabinet. Pair with Column Refrigerators and Freezers or install separately with the freedom to place it wherever suits your vision. Designed to fit flush with cabinetry with minimal gaps and available with a stainless steel or custom panel door.

### MODELS

Integrated Column Wine Cabinet, 24", Panel Ready  
Left Hinge, Stainless Steel Interior  
RS2484VL2K1

Integrated Column Wine Cabinet, 24", Panel Ready  
Right Hinge, Stainless Steel Interior  
RS2484VR2K1

### FEATURES

- ① Flush fit design with 1/8" gaps and hidden ventilation grille
- ② 84" UV-filtering glass door, panel ready or finish with stainless steel panel
- ③ 2 independent zones, providing ideal cellar or wine serving temperatures for red, white and sparkling wines 43–64°F (6–18°C)
- ④ Stainless steel interior
- ⑤ 13 beautiful white oak and black aluminum shelves
- ⑥ Capacity for 91 bottles
- ⑦ Bright, soft-start low UV LED lighting
- ⑧ Display shelf with display lighting
- ⑨ Low-vibration full extension shelf slides and low-noise, low-vibration compressor
- ⑩ Choice of 4 handle styles

### ACCESSORIES

- ① Stainless Steel Door Panel
- ② Contemporary Square Handle
- ③ Contemporary Round Handle
- ④ Professional Square Handle
- ⑤ Professional Round Handle

# FISHER & PAYKEL

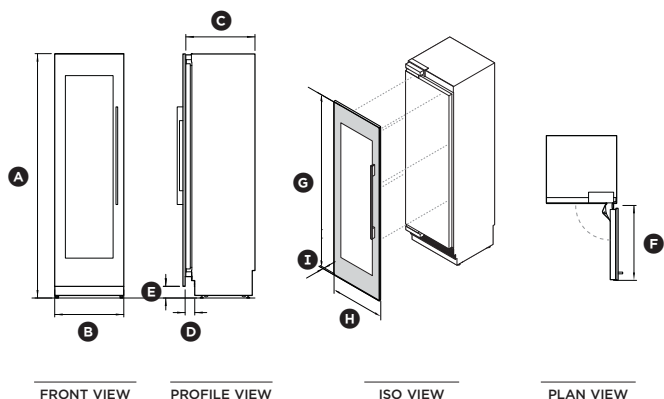
## PRELIMINARY SPECIFICATION GUIDE

## INTEGRATED COLUMN WINE CABINET, 24"

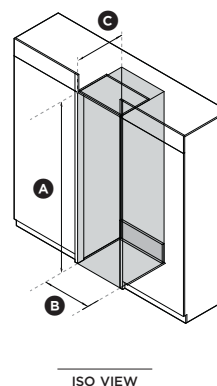
### SPECIFICATIONS

Model No.	RS2484VL2K1, RS2484VR2K1
Dimensions	H 84" (2134mm) x W 23 3/4" (603mm) x D 24" (610mm)
Door Clearance	26" (660mm)
Weight	300lb (135kg)
Door Hinge	Hettich KO5
Electrical	
Supply	115VAC, 60Hz
Service	10-amp circuit
Receptacle	3-prong grounding-type

### PRODUCT DIMENSIONS



### CAVITY DIMENSIONS: STANDARD INSTALLATION



		in	mm
A	Overall height	84	2134
B	Overall width	23 3/4	603
C	Overall depth (excl. front door panel)	24	610
D	Depth of toe kick (excl. front of door panel)	2 7/8 - 4	73-102
E	Height of toe kick*	2 - 6	51-152
F	Depth of door (widest opening)	26	660
G	Height of front panel	79 7/8	2029
H	Width of front panel	23 3/4	603
I	Depth of front panel (excl. handle)	3/4	19

		in	mm
A	Overall height of cavity	84	2134
B	Overall width of cavity	24	610
C	Minimum overall depth of cavity*	25	635
	Minimum cabinetry gap clearance from edge of door panels	1/8	3
	Minimum required finished return, sides and top of cavity	4	102

\*Assumes a door panel thickness of 3/4" (19mm).

\*Standard toe kick height is 4" (102mm) with the optional stainless door panel. For custom door panel installation, a custom toe kick of 2-6" (51-152mm) can be manufactured and fitted by cabinetmaker. The custom door panel height needs to be adjusted accordingly.