

FISHER & PAYKEL

PRELIMINARY SPECIFICATION GUIDE

INTEGRATED COLUMN WINE CABINET, 610MM



OVERVIEW

Create a wine lover's ultimate kitchen with the Integrated Column Wine Cabinet. Pair with Column Refrigerators and Freezers or install separately with the freedom to place it wherever suits your vision. Designed to fit flush with cabinetry with minimal gaps and available with a stainless steel or custom panel door.

MODELS

Integrated Column Wine Cabinet, 610mm, Panel Ready
Left Hinge, Stainless Steel Interior
RS6121VL2K1

Integrated Column Wine Cabinet, 610mm, Panel Ready
Right Hinge, Stainless Steel Interior
RS6121VR2K1

FEATURES

- ① Flush fit design with 3mm gaps and hidden ventilation grille
- ② 2100mm UV-filtering glass door, panel ready or finish with stainless steel panel
- ③ 2 independent zones, providing ideal cellar or wine serving temperatures for red, white and sparkling wines 6-18°C
- ④ Stainless steel interior
- ⑤ 13 beautiful white oak and black aluminum shelves
- ⑥ Capacity for 91 bottles
- ⑦ Bright, soft-start low UV LED lighting
- ⑧ Display shelf with display lighting
- ⑨ Low-vibration full extension shelf slides and low-noise, low-vibration compressor
- ⑩ Choice of 2 handle styles

ACCESSORIES

- ① Stainless Steel Door Panel
- ② Contemporary Square Handle
- ③ Contemporary Round Handle

FISHER & PAYKEL

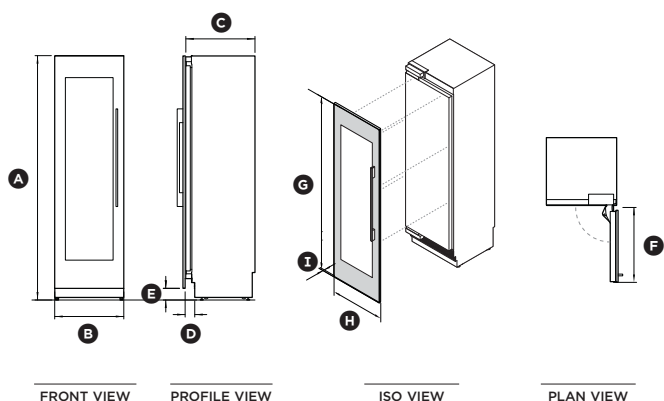
PRELIMINARY SPECIFICATION GUIDE

INTEGRATED COLUMN WINE CABINET, 610MM

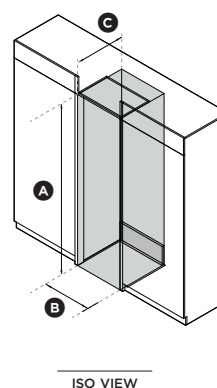
SPECIFICATIONS

Model No.	RS6121VL2K1, RS6121VR2K1
Dimensions	H 2134mm x W 603mm x D 610mm
Door Clearance	660mm
Weight	135kg
Door Hinge	Hettich K05
Electrical	
Supply	220-240VAC, 50Hz
Service	10-amp circuit
Receptacle	3-prong grounding-type

PRODUCT DIMENSIONS



CAVITY DIMENSIONS: STANDARD INSTALLATION



		mm
(A)	Overall height	2134
(B)	Overall width	603
(C)	Overall depth(excl. front door panel)	610
(D)	Depth of toe kick (excl. front of door panel)	73-102
(E)	Height of toe kick*	51-152
(F)	Depth of door (widest opening)	660
(G)	Height of front panel	2029
(H)	Width of front panel	603
(I)	Depth of front panel (excl. handle)	19

		mm
(A)	Overall height of cavity	2134
(B)	Overall width of cavity	610
(C)	Minimum overall depth of cavity*	635
	Minimum cabinetry gap clearance from edge of door panels	3
	Minimum required finished return, sides and top of cavity	102

*Assumes a door panel thickness of 19mm.

*Standard toe kick height is 102mm with the optional stainless door panel. For custom door panel installation, a custom toe kick of 51-152mm can be manufactured and fitted by cabinetmaker. The custom door panel height needs to be adjusted accordingly.