

FISHER & PAYKEL

PRELIMINARY SPECIFICATION GUIDE

INTEGRATED FRENCH DOOR REFRIGERATOR FREEZER, 32"



OVERVIEW

The Integrated French Door Refrigerator, 32", is designed to blend seamlessly behind cabinetry, allowing a variety of kitchen design possibilities. A full set of features deliver optimal food care, flexible storage options and energy savings. Customize with door panels and handles to match the kitchen cabinetry or finish with our stainless steel door panels and brushed aluminum handles.

MODELS

Integrated French Door Refrigerator Freezer, 32", Panel Ready, Ice Only
RS32A72J1

Integrated French Door Refrigerator Freezer, 32", Panel Ready, Ice & Water
RS32A72U1

FEATURES

- ① Flush fit with kitchen cabinetry
- ② Choice of door panel and handle styles
- ③ ActiveSmart™ foodcare care helps keep food fresher for longer
- ④ Cantilevered glass shelves
- ⑤ Bright LED lighting
- ⑥ Automatic ice maker and slimline water dispenser available
- ⑦ Easy to access and use touch-control panel
- ⑧ Humidity-controlled vegetable bins
- ⑨ Fast-freeze function
- ⑩ Bottle-chill function
- ⑪ Sabbath mode

ACCESSORIES

- ① Multiple handle styles
- ② Stainless steel door panels

FISHER & PAYKEL

PRELIMINARY SPECIFICATION GUIDE

INTEGRATED FRENCH DOOR REFRIGERATOR FREEZER, 32"

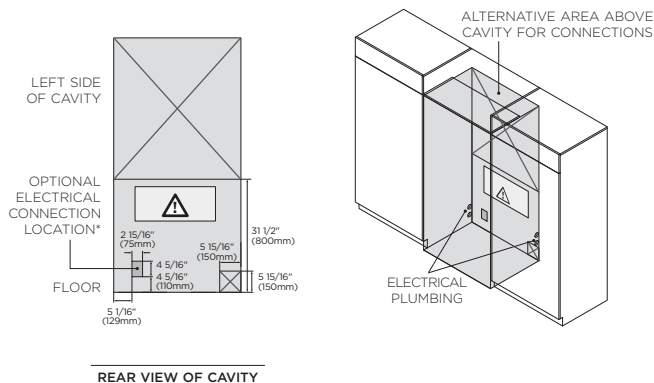
SPECIFICATIONS

Model No.	RS32A72J1, RS32A72U1
Dimensions	H 71 7/8" (1825mm) x W 31 11/16" (805mm) x D* 23 7/8" (606mm)
Door Clearance	15 9/16" (395mm)
Drawer Clearance*	15 3/4" (400mm)
Weight	270lb (123kg)
Door Hinge	Hettich KO8
Electrical	
Supply	115VAC, 60Hz
Service	10-amp circuit
Receptacle	3-prong grounded
Plumbing	
Supply	1/4" (6mm) compression fitting**
Pressure	Min 150kPa (22psi), max 827kPa (120psi) @ 68°F (20°C)

*Excl. door panels

**Water fittings kit - The standard refrigerator does not include water fittings. Standard Fisher & Paykel water fittings kit are available (part number: 841301). These parts need to be purchased separately by the customer and comply with local regulations.

ELECTRICAL

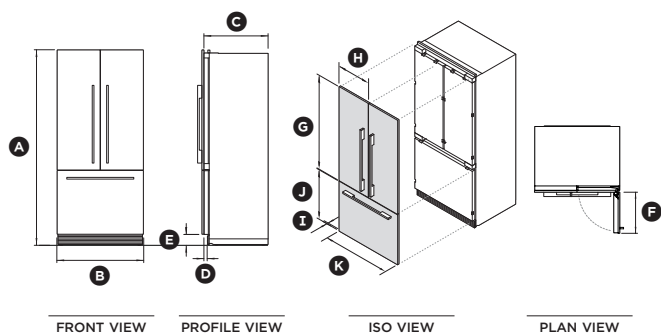


Note: Electrical connection can be located in an adjacent cabinet to either side of the fridge or above the fridge cavity. We recommend to use an isolating switch that is easily accessible to the user after the refrigerator is installed.

✗ Do not locate water or electricity in this area, keep clear of connections.

⚠ CAUTION: Central area can only fit electrical plug if it is placed within a recessed cavity.

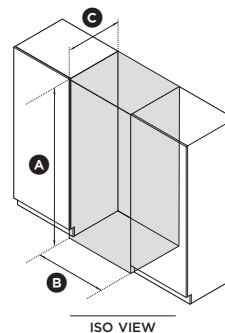
PRODUCT DIMENSIONS



		in	mm
(A)	Overall height	71 7/8	1825
(B)	Overall width	31 11/16	805
(C)	Overall depth (excl. front of door panel)	23 7/8	606
(D)	Depth of toe kick (excl. front of door panel)	2	51
(E)	Height of toe kick*	4	102
(F)	Depth of door (widest opening) measured from front of door	15 9/16	395
(G)	Height of top door panel	44 3/16	1123
(H)	Width of top door panel	15 3/4	400
(I)	Depth of door and drawer panels (excl. handles)	3/4	19
(J)	Height of bottom drawer panel	23 1/2	596
(K)	Width of bottom drawer panel	31 11/16	805

*Standard toe kick height is 4" (102mm) with the optional stainless door panel. For custom door panel installation, a custom toe kick of 2-6" (51-152mm) can be manufactured and fitted by cabinetmaker. The custom door panel height needs to be adjusted accordingly.

CAVITY DIMENSIONS: STANDARD INSTALLATION



		in	mm
(A)	Overall height of cavity	72	1829
(B)	Overall width of cavity	32	813
(C)	Minimum overall depth of cavity*	25	635
	Minimum cabinetry gap clearance from edge of door panels	3/16	4
	Minimum required finished return, sides and top of cavity	3 1/2	89
	Minimum door clearance to adjacent wall (90° - full internal access)	3 15/16	100
	Minimum door clearance to adjacent wall (115° - full door opening)	11	280

*Assumes a door panel thickness of 3/4".