

FISHER & PAYKEL

PRELIMINARY SPECIFICATION GUIDE

INTEGRATED DISHWASHER, 24"



OVERVIEW

This panel ready built-in dishwasher provides seamless integration into your kitchen design. It fits a variety of cabinetry panels and suits both standard cabinet height and ADA compliant installations. The high-specification model DW24U6I1 also features interior LED lighting, a third rack, a quieter motor and Sanitize and Extra Dry cycles.

MODELS

Integrated Dishwasher, 24", Panel Ready, Flexible Racking
DW24U6I1

Integrated Dishwasher, 24", Panel Ready
DW24U2I1

FEATURES

- ① Top door interface
- ② Energy efficient
- ③ Reliable wash performance
- ④ Flexible wash options
- ⑤ Quiet performance*
- ⑥ Easy to load
- ⑦ Bright interior LED lighting**
- ⑧ Third rack for cutlery and utensils**
- ⑨ Height adjustable middle rack to allow for large plates or long-stemmed glasses in bottom rack**
- ⑩ Fold-down and pitch adjustable racking, incl. wine glass holders**
- ⑪ Sanitize and Extra Dry cycles**

*45dBa or less for DW24U6I1 and 48dBa or less for DW24U2I1.
** DW24U6I1 only.

ACCESSORIES

- ① Contemporary Round Handle
- ② Contemporary Square Handle
- ③ Professional Round Handle
- ④ Professional Square Handle

FISHER & PAYKEL

PRELIMINARY SPECIFICATION GUIDE

INTEGRATED DISHWASHER, 24"

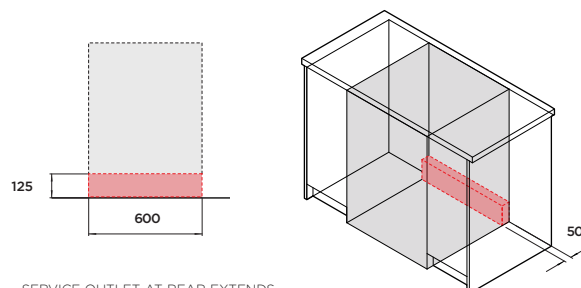
SPECIFICATIONS

Model No.	DW60U6I1, DW60U2I1
Dimensions	H 32 5/8 - 34 5/8" (820-880mm) x W 23 9/16" (598mm) x D* XX" (550mm)
Door Clearance**	ADA: 23 7/8" (606mm) Standard: 25 5/8" (651mm)
Weight	92lb (45kg)
Internal Capacity	15 place settings
Electrical	
Supply	120VAC, 60Hz, 8.9A
Service	10-amp circuit

*Measured from the front of product, excl. the custom door panel or handle, to be manufactured and fitted by cabinetmaker.

**Depth of door (widest opening) measured from front of product, excl. the custom door panel or handle, to be manufactured and fitted by cabinetmaker.

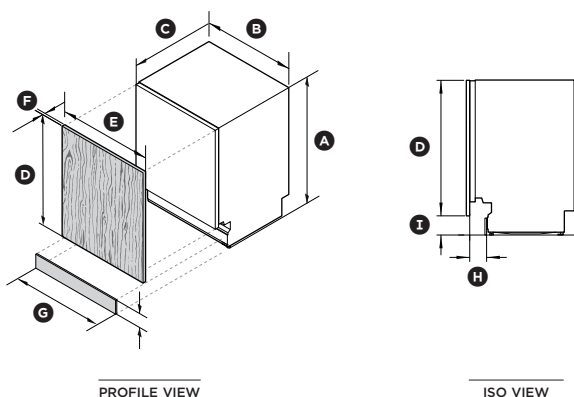
PLUMBING AND ELECTRICAL



SERVICE OUTLET AT REAR EXTENDS BOTH SIDES, HOSES AND CORDS CAN BE ROUTED TO EITHER OR BOTH.

REAR OF CAVITY

PRODUCT DIMENSIONS



PROFILE VIEW

ISO VIEW

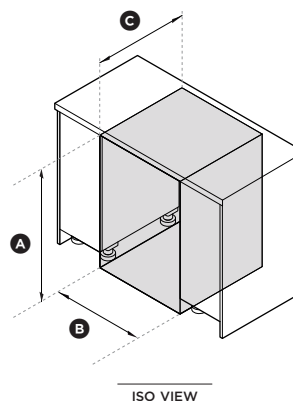
		in	mm
(A)	Overall height	min 32 5/8 max 34 5/8	min 820 max 880
(B)	Overall width	23 9/16	598
(C)	Overall depth**	21 3/4	552
(D)	Height of door custom panel	26 3/16 - 30	665 - 762
(E)	Width of door custom panel	23 7/16 - 23 13/16	596 - 605
(F)	Depth of door custom panel	5/8 - 3/4	16 - 19
(G)	Width of toe kick custom panel***	23 7/16 - 23 13/16	596 - 605
(H)	Depth of toe kick	1 3/16 - 3 9/16	30 - 90
(I)	Height from floor to bottom of custom panel	3 15/16 - 7 7/8	100 - 200

*Excl. side seals.

**Excl. the custom door panel or handle, to be manufactured and fitted by cabinetmaker.

***Product can be installed with a continuous toe kick.

CAVITY DIMENSIONS: STANDARD INSTALLATION



ISO VIEW

		in	mm
(A)	Overall height of cavity	min 32 5/16 max 36 7/16	min 820 max 926
(B)	Overall width of cavity*	23 5/8 - 24	600 - 610
(C)	Overall depth of cavity (incl. 3/4" [19mm] custom panels)	25	574

*Side seals accommodate this cavity width range.

Note: for taller installations an infill bracket will be supplied to cleanly cover gap between top of DW to benchtop.