

FISHER & PAYKEL

PRELIMINARY SPECIFICATION GUIDE

INTEGRATED COLUMN WINE CABINET, 24"



OVERVIEW

Create a wine lover's ultimate kitchen with the Integrated Column Wine Cabinet. Pair with Column Refrigerators and Freezers or install separately with the freedom to place it wherever suits your vision. Designed to fit flush with cabinetry with minimal gaps and available with a stainless or custom panel door.

MODELS

Integrated Column Wine Cabinet, 24", Panel Ready
Left Hinge, Stainless Steel Interior
RS2484SLWK1

Integrated Column Wine Cabinet, 24", Panel Ready
Right Hinge, Stainless Steel Interior
RS2484SRWK1

FEATURES

- ① Flush fit design with 1/8" gaps and hidden ventilation grille
- ② 84" UV-filtering glass door, panel-ready or stainless
- ③ 2 independent zones, providing ideal cellar or wine serving temperatures for red and white wines 41-68°F (5-20°C)
- ④ Stainless steel interior
- ⑤ 13 beautiful oak and black aluminum shelves
- ⑥ Capacity for 90 bottles
- ⑦ Bright, soft-start internal LED lighting
- ⑧ Display shelf with display lighting
- ⑨ Low-vibration shelf slides and a low-noise/vibration compressor
- ⑩ Choice of 4 handle styles

ACCESSORIES

- ① Stainless Steel Door Panel
- ② Contemporary Square Handle
- ③ Contemporary Round Handle
- ④ Professional Square Handle
- ⑤ Professional Round Handle

FISHER & PAYKEL

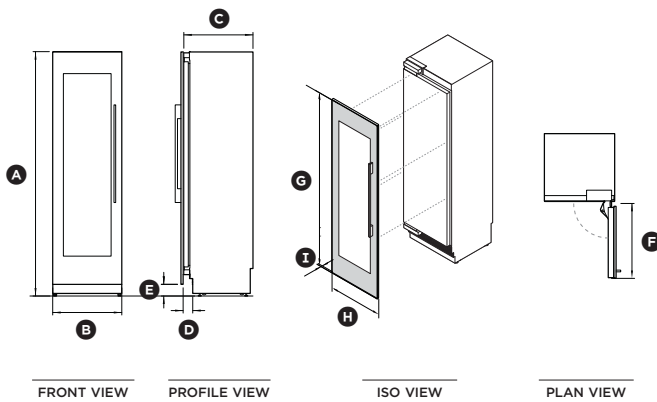
PRELIMINARY SPECIFICATION GUIDE

INTEGRATED COLUMN WINE CABINET, 24"

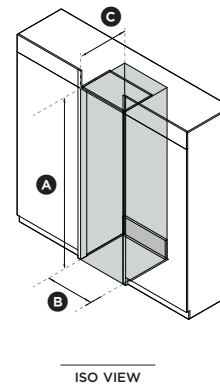
SPECIFICATIONS

Model No.	RS2484SLWK1, RS2484SRWK1
Dimensions	H 84" (2134mm) x W 23 3/4" (603mm) x D 24" (610mm)
Door Clearance	26" (660mm)
Weight	300lb (135kg)
Door Hinge	Hettich KO5
Electrical	
Supply	115VAC, 60Hz
Service	10-amp circuit
Receptacle	3-prong grounding-type

PRODUCT DIMENSIONS



CAVITY DIMENSIONS: STANDARD INSTALLATION



		in	mm
(A)	Overall height	84	2134
(B)	Overall width	23 3/4	603
(C)	Overall depth (excl. front door panel)	24	610
(D)	Depth of toe kick (excl. front of door panel)	2 7/8 - 4	73-102
(E)	Height of toe kick*	2 - 6	51-152
(F)	Depth of door (widest opening)	26	660
(G)	Height of front panel	49 3/8	1254
(H)	Width of front panel	23 3/4	603
(I)	Depth of front panel (excl. handle)	3/4	19

		in	mm
(A)	Overall height of cavity	84	2134
(B)	Overall width of cavity	24	610
(C)	Minimum overall depth of cavity*	25	635
	Minimum cabinetry gap clearance from edge of door panels	1/8	3
	Minimum required finished return, sides and top of cavity	4	102

*Assumes a door panel thickness of 3/4".

*Standard toe kick height is 4" with the optional stainless door panel. For custom door panel installation, a custom toe kick of 2-6" can be manufactured and fitted by cabinetmaker. The custom door panel height needs to be adjusted accordingly.