

FISHER & PAYKEL

PRELIMINARY SPECIFICATION GUIDE

INDUCTION RANGE, 30", 4 ZONES



OVERVIEW

Add a sleek look to any kitchen design with the Induction Range, 30". This range offers an intuitive, high-resolution touch display, four-zone instant-response induction rangetop, an electronic oven with generous capacity and comprehensive cooking functions to deliver perfect results.

MODELS

Induction Range, 30", 4 Zones
RIV3-304

FEATURES

- ① Stainless steel
- ② High-resolution touch display
- ③ Metal illuminated dials
- ④ Electronic oven control
- ⑤ 11-function oven
- ⑥ Automatic cooking functions with food probe
- ⑦ 4 cu ft-capacity oven cavity
- ⑧ Self-cleaning oven with pyrolytic ladders
- ⑨ Precise temperature control with 9 induction heat settings
- ⑩ Instant response induction cooking with PowerBoost

ACCESSORIES

- ① Food probe
- ② Broil pan
- ③ Broil rack
- ④ Full-extension telescopic racks

FISHER & PAYKEL

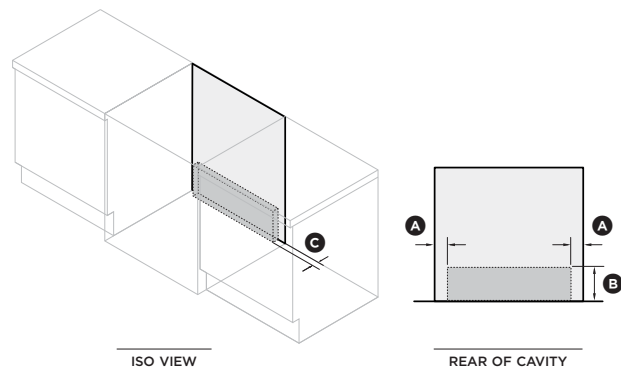
PRELIMINARY SPECIFICATION GUIDE

INDUCTION RANGE, 30", 4 ZONES

SPECIFICATIONS

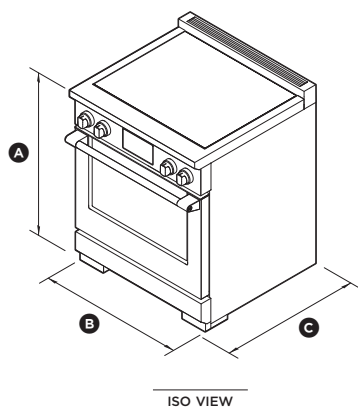
Model No.	RIV3-304
Dimensions	H 35 3/4-36 3/4" (908-933mm) x W 29 7/8" (759mm) x D 29 1/8" (740mm)
Door Clearance	19 1/8" (486mm)
Electrical	
Supply	120/240VAC, 60Hz
Service	50-amp circuit
Receptacle	4-prong grounding type (NEMA 14-50 plug)

SUPPLY AREA DIMENSIONS



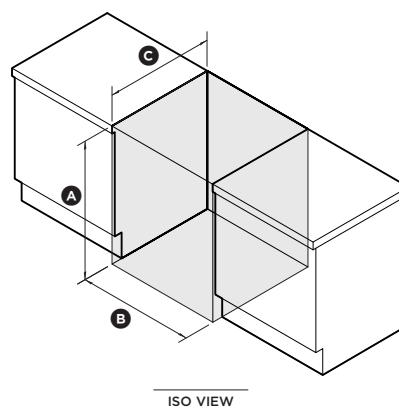
	in	mm
(A) Distance from either edge of range to supply area	1 1/2	38
(B) Height of gas and electrical supply areas (from floor)	6	152
(C) Depth of supply areas (ie maximum protrusion of gas connection from wall)	2	51

PRODUCT DIMENSIONS



	in	mm
(A) Overall height (from floor to cooktop, excl. vent trim)	min 35 3/4 max 36 3/4	min 908 max 933
(B) Overall width	29 7/8	759
(C) Depth from front of range to rear (incl. vent trim, excl. dials and handle)	29 1/8	740

CAVITY DIMENSIONS: STANDARD INSTALLATION



	in	mm
(A) Overall height of cavity* • for level counter • with range levelling legs fully extended	35 3/4 36 3/4	908 933
(B) Overall width of cavity	30	762
(C) Maximum depth of cavity • projecting control panel • flush control panel	25 1/8 27 11/16	638 703

*Depending on height of range.