

FISHER & PAYKEL

PRELIMINARY SPECIFICATION GUIDE

DUAL FUEL RANGE, 48", 4 BURNERS, 4 ZONES



OVERVIEW

Choose the best of our best to grace your kitchen design with the Dual Fuel Range, 48", with hybrid induction and gas rangetop. This range offers an intuitive, high-resolution touch display, generous capacity from two electronic ovens and comprehensive cooking functions to deliver perfect results on the biggest meals. A stunning combination of cooking flexibility, power and style.

MODELS

Dual Fuel Range, 48", 4 Burners, 4 Zones,
RHV3-484-N

Dual Fuel Range, 48", 4 Burners, 4 Zones, LPG
RHV3-484-L

FEATURES

- ① Stainless steel
- ② High-resolution touch display
- ③ Metal illuminated dials with dual stack oven control
- ④ 11-function electronic oven
- ⑤ Automatic cooking functions with food probe
- ⑥ 4.8 cu ft-capacity main oven and 2.1 cu ft-capacity secondary oven
- ⑦ Self-cleaning main oven with pyrolytic ladders
- ⑧ Precise temperature control with 9 induction heat settings
- ⑨ Sealed Dual Flow Burners™
- ⑩ Dishwasher-proof, cast-iron trivets

ACCESSORIES

- ① Food probe
- ② Broil pan
- ③ Broil rack
- ④ Full-extension telescopic racks

FISHER & PAYKEL

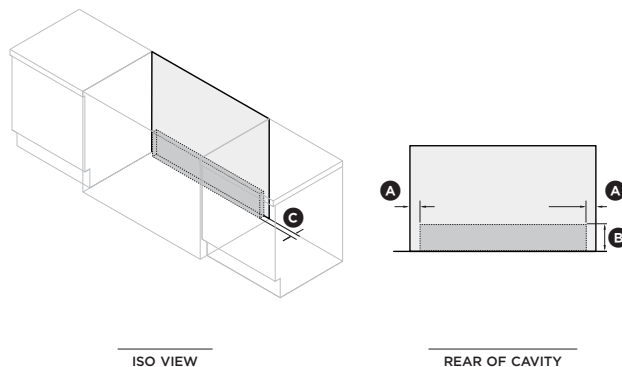
PRELIMINARY SPECIFICATION GUIDE

DUAL FUEL RANGE, 48", 4 BURNERS, 4 ZONES

SPECIFICATIONS

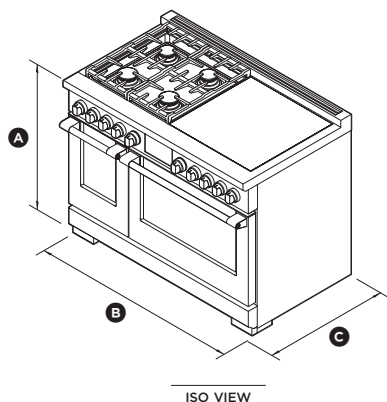
Model No.	RHV3-484-N, RHV3-484-L
Dimensions	H 35 3/4" - 36 3/4" (908-933mm) x W 47 7/8" (1216) x D 29 1/8" (740mm)
Door Clearance	19 1/8" (486mm)
Electrical	
Supply	120/240VAC, 60Hz
Service	50-amp circuit
Receptacle	4-prong grounding type (NEMA 14-50 plug)

SUPPLY AREA DIMENSIONS



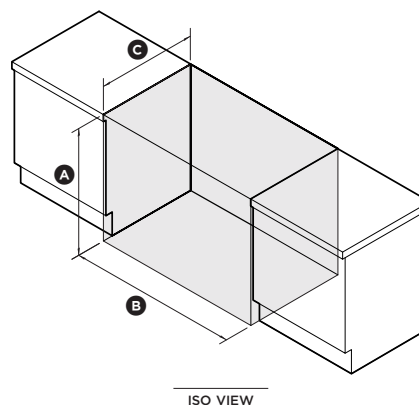
		in	mm
(A)	Distance from either edge of range to supply area	1 1/2	38
(B)	Height of gas and electrical supply areas (from floor)	6	152
(C)	Depth of supply areas (ie maximum protrusion of gas connection from wall)	2	51

PRODUCT DIMENSIONS



		in	mm
(A)	Overall height (from floor to cooktop, excl. grates and vent trim)	min 35 3/4 max 36 3/4	min 908 max 933
(B)	Overall width	47 7/8	1216
(C)	Depth from front of range to rear (incl. vent trim, excl. dials and handle)	29 1/8	740

CAVITY DIMENSIONS: STANDARD INSTALLATION



		in	mm
(A)	Overall height of cavity* • for level counter • with range levelling legs fully extended	35 3/4 36 3/4	908 933
(B)	Overall width of cavity	48	1219
(C)	Maximum depth of cavity • projecting control panel • flush control panel	25 1/8 27 11/16	638 703

*Depending on height of range.