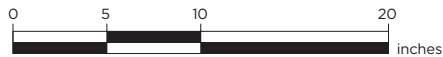
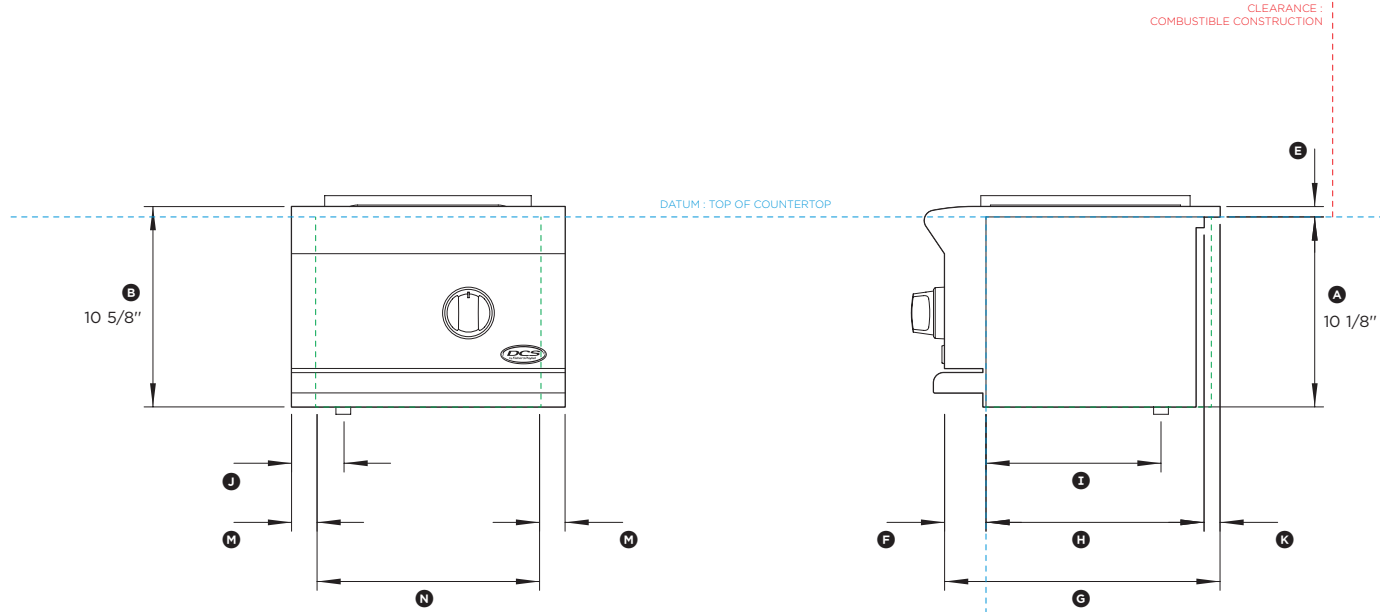
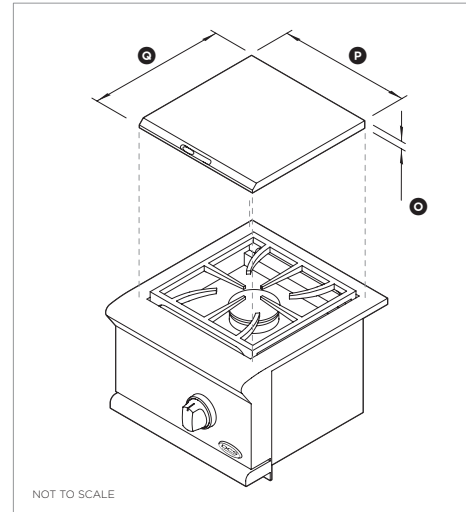
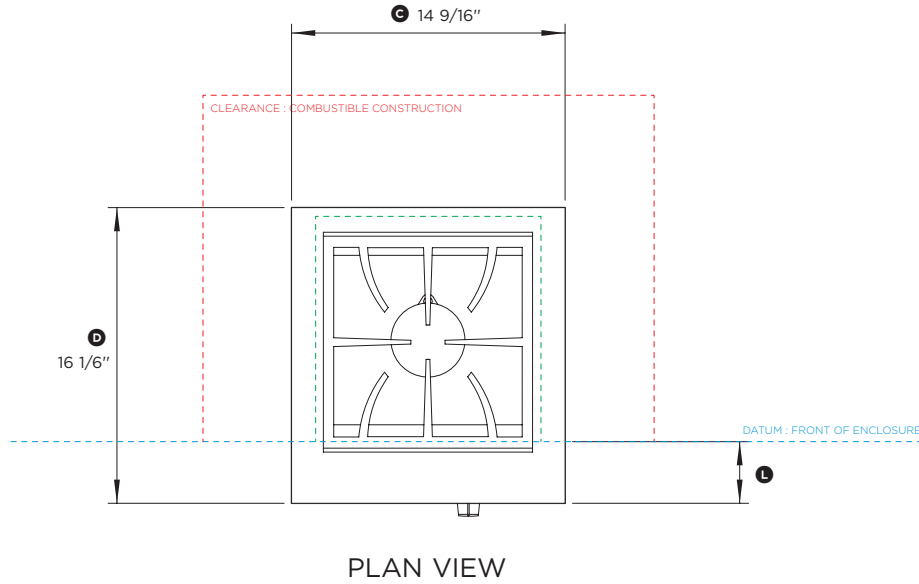


Data sheet



Single Sideburner Built-In

Model no:

BGC131-BI-N (refer page 2 for metric measurements)

Dimensions	in
Ⓐ Height below countertop datum to bottom of chassis	10 1/8"
Ⓑ Height of chassis	10 5/8"
Ⓒ Overall width of sideburner	14 9/16"
Ⓓ Overall depth of sideburner (excluding knobs)	16 1/6"
Ⓔ Height of chassis above countertop	9/16"
Ⓕ Depth of control panel to front datum	2 3/16"
Ⓖ Depth from control panel to rear of product	14 11/16"
Ⓗ Depth from front datum to rear of chassis below countertop	11 5/8"
Ⓛ Distance from front datum to gas inlet	9 5/16"
Ⓜ Distance from side of chassis to gas inlet	2 13/16"
Ⓝ Depth of rear flange	7/8"
Ⓟ Depth from chassis bullnose to front datum	3 1/4"
Ⓢ Width of side flanges	1 3/8"
Ⓣ Width of chassis inside enclosure	11 7/8"
Ⓤ Height of lid	11 /16"
Ⓟ Width of lid	12 5/16"
Ⓠ Depth of lid	22 11/16"

Minimum Clearances	in
Overall width of cavity	12"
Overall depth of cavity	12"
Overall height of cavity	10 1/8"
Clearance at rear to vertical non-combustible surface above countertop from sideburner	6"
Clearance at sides to vertical non-combustible surface above countertop from cutout	6"

INDICATES CUTOUT -----
 INDICATES PRODUCT / CABINETRY DATUM -----
 INDICATES CLEARANCES -----

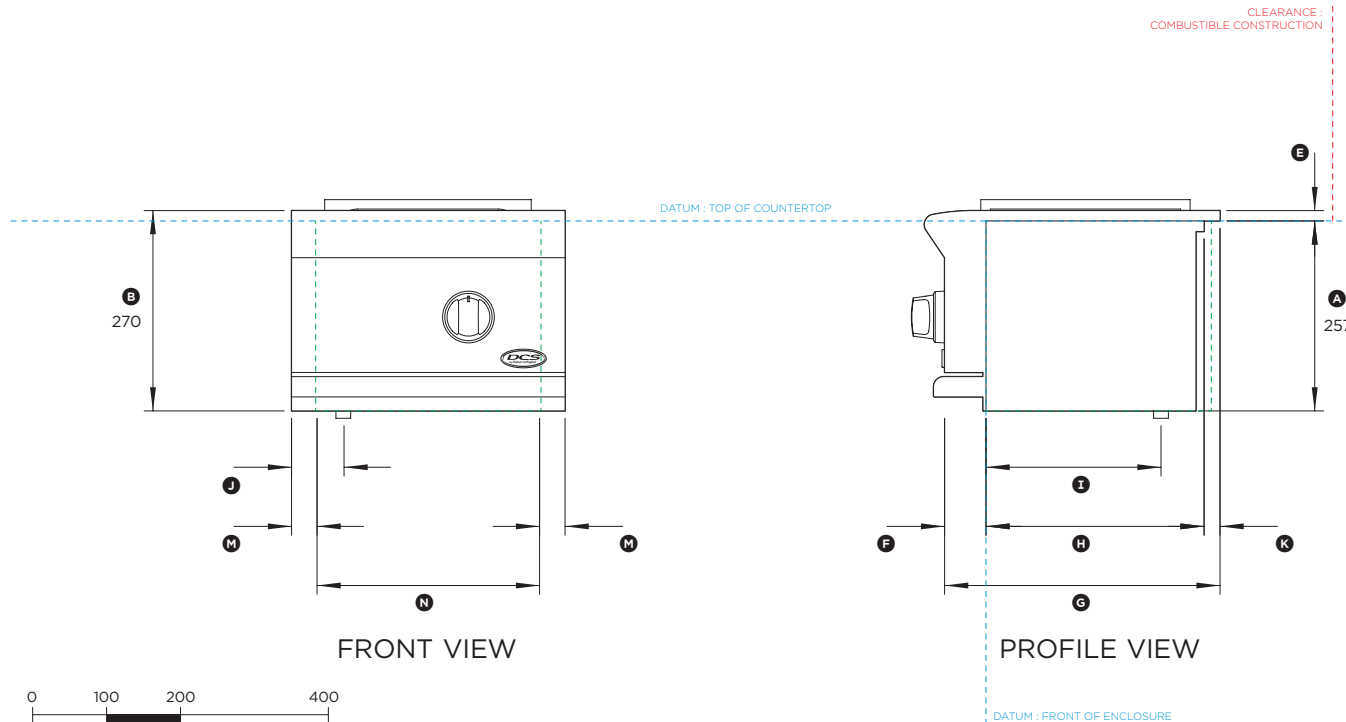
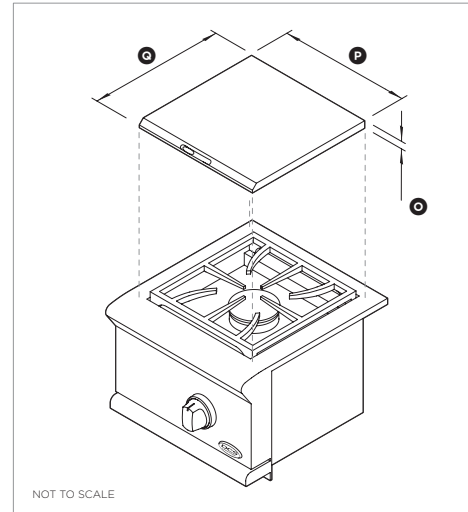
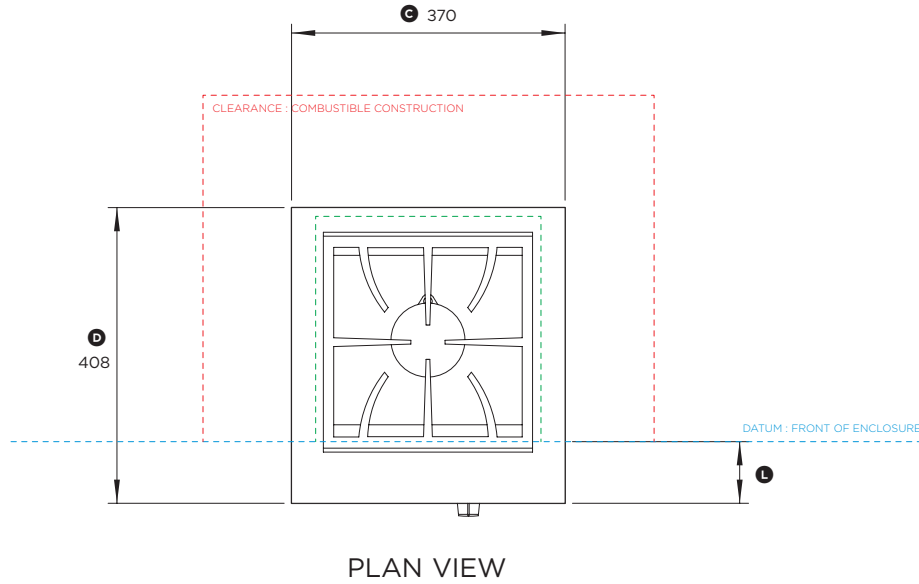
DATE: 21.02.2019

IMPORTANT NOTE: Throughout this guide, dimensions may vary by ±2mm (3/32"). Please read the installation manual for detailed information on installing the product. For full installation instructions & specifications visit www.dcsappliances.com



Data sheet

Single Sideburner Built-In



Model no:

BGC131-BI-N (refer page 1 for imperial measurements)

Dimensions	mm
Ⓐ Height below countertop datum to bottom of chassis	257
Ⓑ Height of chassis	270
Ⓒ Overall width of sideburner	370
Ⓓ Overall depth of sideburner (excluding knobs)	408
Ⓔ Height of chassis above countertop	14
Ⓕ Depth of control panel to front datum	56
Ⓖ Depth from control panel to rear of product	373
Ⓗ Depth from front datum to rear of chassis below countertop	295
Ⓘ Distance from front datum to gas inlet	237
Ⓛ Distance from side of chassis to gas inlet	71
Ⓧ Depth of rear flange	22
Ⓛ Depth from chassis bullnose to front datum	83
Ⓜ Width of side flanges	34.5
Ⓝ Width of chassis inside enclosure	301
Ⓞ Height of lid	18
Ⓟ Width of lid	309
Ⓠ Depth of lid	306

Minimum Clearances	mm
Overall width of cavity	305
Overall depth of cavity	305
Overall height of cavity	257
Clearance at rear to vertical non-combustible surface above countertop from sideburner	153
Clearance at sides to vertical non-combustible surface above countertop from cutout	153

INDICATES CUTOUT -----
 INDICATES PRODUCT / CABINERY DATUM -----
 INDICATES CLEARANCES -----

DATE: 21.02.2019

IMPORTANT NOTE: Throughout this guide, dimensions may vary by ±2mm (3/32"). Please read the installation manual for detailed information on installing the product. For full installation instructions & specifications visit www.dcsappliances.com

