

FISHER & PAYKEL

PRELIMINARY SPECIFICATION GUIDE

OVEN, 30", 4.1 CU FT, 16 FUNCTION



OVERVIEW

Wrap up a professional-styled kitchen design with the Oven, 30". It matches perfectly with any of our Professional kitchen appliances to deliver the feel of a commercial kitchen in the home. With intuitive controls and the performance to deliver perfect results, this oven is beautiful to use.

MODELS

Oven, 30", 4.1 cu ft, 16 Function, Professional Style
OB30SPPTX1

FEATURES

- ① Designed to match the rest of Fisher & Paykel's professional style family of appliances
- ② Generous 4.1 cu ft total capacity
- ③ High-resolution intuitive touch display
- ④ Guided cooking and recipes
- ⑤ Perfect results from a variety of oven functions
- ⑥ Even heat distribution throughout with AeroTech™ technology
- ⑦ Self-cleaning
- ⑧ CoolTouch door

ACCESSORIES

- ① Full extension sliding shelves
- ② Self-cleaning-proof side racks
- ③ Roasting dish, tray and rack
- ④ Food probe

FISHER & PAYKEL

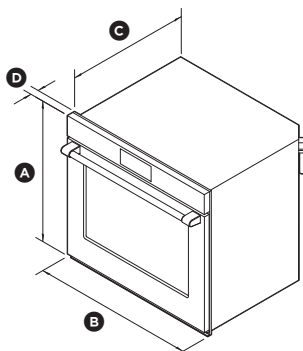
PRELIMINARY SPECIFICATION GUIDE

OVEN, 30", 4.1 CU FT, 16 FUNCTION

SPECIFICATIONS

Model No.	OB30SPPTX1
Dimensions	H 27 1/8" (689mm) x W 29 13/16" (760mm) x D 23 15/16" (608mm)
Total capacity	4.1 cu ft (115L)
Weight	242lb (110kg)
Electrical	
Supply	208-240VAC, 60Hz
Service	16.6-19.4 amp circuit

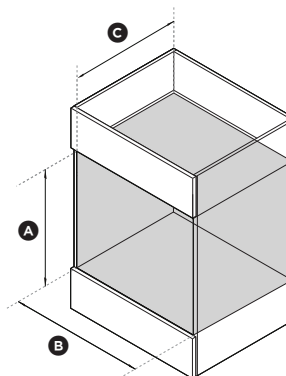
PRODUCT DIMENSIONS



ISO VIEW

		in	mm
(A)	Overall height	27 1/8	689
(B)	Overall width	29 13/16	757
(C)	Depth of chassis	22 3/8	569
(D)	Depth from front of chassis to front of oven door (excl. handle)	1 1/2	39
	Depth of oven door when fully open (measured from front of control panel)	20 7/8	530

CAVITY DIMENSIONS: STANDARD INSTALLATION



ISO VIEW

		in	mm
(A)	Minimum inside height of cavity	26 13/16	681
(B)	Minimum inside width of cavity	28 1/2	724
(C)	Minimum inside depth of cavity		
	• proud install	22 5/8	575
	• flush install	24 3/16	614